

EXPEDITION

XP300

300-WATT PORTABLE PA SYSTEM



Owner's Manual

Important Safety Information



ATTENTION
RISQUE DE CHOC ÉLECTRONIQUE -
NE PAS OUVRIR



This lightning flash with arrowhead symbol within an equilateral triangle is intended to alert the user to the presence of non-insulated "dangerous voltage" within the product's enclosure that may be of sufficient magnitude to constitute a risk of electric shock.



The exclamation point within an equilateral triangle is intended to alert the user to the presence of important operating and maintenance instructions in the literature accompanying the appliance.



CAUTION

To prevent electric shock hazard, do not connect to mains power supply while grille is removed.

WARNING: TO REDUCE THE RISK OF ELECTRIC SHOCK, DO NOT REMOVE COVER (OR BACK) AS THERE ARE NO USER-SERVICEABLE PARTS INSIDE. REFER SERVICING TO QUALIFIED SERVICE PERSONNEL.



If you want to dispose this product, do not mix it with general household waste. There is a separate collection system for used electronic products in accordance with legislation that requires proper treatment, recovery and recycling.

Private household in the 28 member states of the EU, in Switzerland and Norway may return their used electronic products free of charge to designated collection facilities or to a retailer (if you purchase a similar new one).

For Countries not mentioned above, please contact your local authorities for a correct method of disposal.

By doing so you will ensure that your disposed product undergoes the necessary treatment, recovery and recycling and thus prevent potential negative effects on the environment and human health.

Copyright 2020, V3
Samson Technologies Corp.
278-B Duffy Ave
Hicksville, New York 11801
Phone: 1-800-3-SAMSON (1-800-372-6766)
www.samsontech.com

The *Bluetooth*® word mark and logos are registered trademarks owned by Bluetooth SIG, Inc. and any use of such marks by Samson Technologies is under license. Other trademarks and trade names are those of their respective owners."

Important Safety Information

1. Read these instructions.
2. Keep these instructions.
3. Heed all warnings.
4. Follow all instructions.
5. Do not use this apparatus near water.
6. Clean only with dry cloth.
7. Do not block any ventilation openings. Install in accordance with the manufacturer's instructions.
8. Do not install near any heat sources such as radiators, heat registers, stoves, or other apparatus (including amplifiers) that produce heat.
9. Do not defeat the safety purpose of the polarized or grounding type plug. A polarized plug has two blades with one wider than the other. A grounding type plug has two blades and a third grounding prong. The wide blade or the third prong are provided for your safety. If the provided plug does not fit into your outlet, consult an electrician for replacement of the obsolete outlet.
10. Protect the power cord from being walked on or pinched particularly at the plugs, convenience receptacles, and at the point where they exit from the apparatus.
11. Only use attachments/accessories specified by the manufacturer.
12. Use only with the cart, stand, tripod, bracket, or table specified by the manufacturer, or sold with the apparatus. When a cart is used, use caution when moving the cart/apparatus combination to avoid injury from tip-over.
13. Unplug the apparatus during lightening, storm or when unused for long periods of time.
14. Refer all servicing to qualified personnel. Service is required when the apparatus has been damaged in any way, such as power supply cord or plug is damaged, liquid has been spilled or objects have fallen into the apparatus has been exposed to rain or moisture, does not operate normally, or has been dropped.
15. This appliance shall not be exposed to dripping or splashing water and that no object filled with liquid such as vases shall be placed on the apparatus.
16. Caution-to prevent electrical shock, match wide blade plug wide slot fully insert.
17. Please keep a good ventilation environment around the entire unit.
18. **POWER ON/OFF SWITCH:** For products with a power switch, the power switch DOES NOT break the connection from the mains.
19. **MAINS DISCONNECT:** The plug should remain readily operable. For rack-mount or installation where plug is not accessible, an all-pole mains switch with a contact separation of at least 3mm in each pole shall be incorporated into the electrical installation of the rack or building.
20. **Warning:** The apparatus shall be connected to a MAINS socket outlet with a protective earthing connection.



Important Safety Information

FCC Notice

1. This device complies with Part 15 of the FCC Rules. Operation is subject to the following two conditions:
 - (1) This device may not cause harmful interference.
 - (2) This device must accept any interference received, including interference that may cause undesired operation.
2. Changes or modifications not expressly approved by the party responsible for compliance could void the user's authority to operate the equipment.

FCC Statement

This equipment has been tested and found to comply with the limits for a Class B digital device, pursuant to Part 15 of the FCC Rules. These limits are designed to provide reasonable protection against harmful interference in a residential installation.

This equipment generates uses and can radiate radio frequency energy and, if not installed and used in accordance with the instructions, may cause harmful interference to radio communications. However, there is no guarantee that interference will not occur in a particular installation. If this equipment does cause harmful interference to radio or television reception, which can be determined by turning the equipment off and on, the user is encouraged to try to correct the interference by one or more of the following measures:

- Reorient or relocate the receiving antenna.
- Increase the separation between the equipment and receiver.
- Connect the equipment into an outlet on a circuit different from that to which the receiver is connected.
- Consult the dealer or an experienced radio/TV technician for help.

FCC Radiation Exposure Statement

This equipment complies with FCC RF radiation exposure limits set forth for an uncontrolled environment.

RF Warning Statement

The device has been evaluated to meet general RF exposure requirement. The device can be used in portable exposure condition without restriction.

Introduction

Congratulations on purchasing the Expedition XP300 Portable PA System from Samson! The XP300 is a compact, all-in-one, portable PA system featuring a six-channel mixer and 300 watts of onboard power with dual 6" 2-way speakers, making it an ideal solution for a variety of small- to medium-sized sound reinforcement applications. The XP300 is also extremely portable, thanks to its lightweight and unique "Slide and Lock" design.

The six-channel mixer can be removed from the speaker for tabletop use or can be stand mounted using the Samson SMS150 Mixer Stand Holder. It features two XLR inputs for connecting microphones, one channel for connecting a stereo signal from an MP3 player, or other electronic device. There's also a built-in, 24-bit digital effects processor to add studio quality effects to your voice or instruments. For music playback, the XP300 features wireless *Bluetooth*[®] connectivity, to stream audio from your smart phone, tablet, or computer. The mixer provides a robust output, with 300 watts total power from the lightweight, Class D amplifier section. The XP300 employs a matched speaker system with dual 2-way enclosures that have proprietary 6" woofers and 1" high frequency drivers. To help project sound to a larger audience, the XP300 speakers can be mounted on standard speaker stands, thanks to the integral pole mount receptacles. The XP300 is constructed using durable ABS high impact plastic, making it super road tough and, at the same time, lightweight.

We recommend you keep the following records for reference, as well as a copy of your sales receipt.

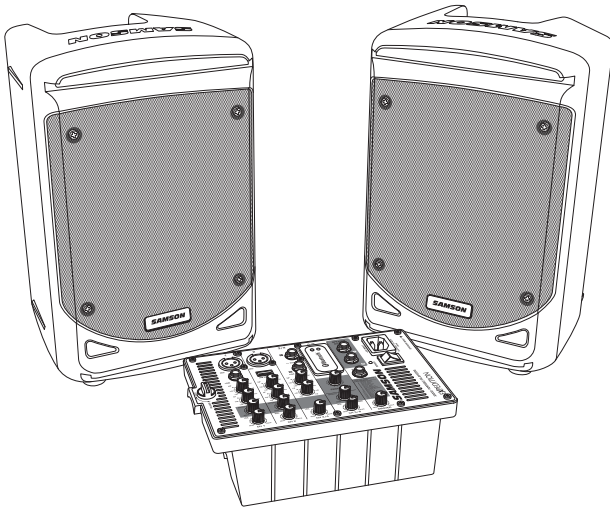
Serial number: _____

Date of purchase: _____

If you have any questions or comments regarding the XP300 Portable PA System or any other products from Samson, do not hesitate to contact us at support@samsontech.com.

With proper care and maintenance, your XP300 Portable PA System will operate trouble-free for many years. Should your XP300 Portable PA System ever require servicing, a Return Authorization (RA) number must be obtained before shipping your unit to Samson. Without this number, the unit will not be accepted. Please visit www.samsontech.com/ra for an RA number prior to shipping your unit. Please retain the original packing materials and, if possible, return the unit in its original carton. If your XP300 Portable PA System was purchased outside of the United States, contact your local distributor.

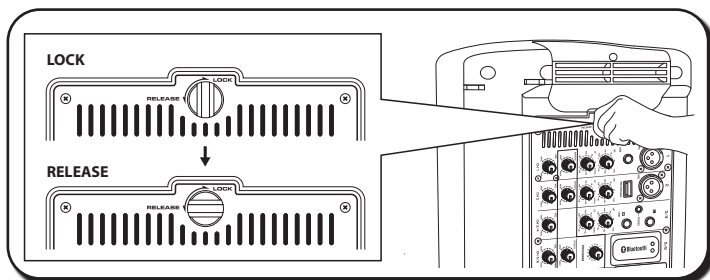
Features



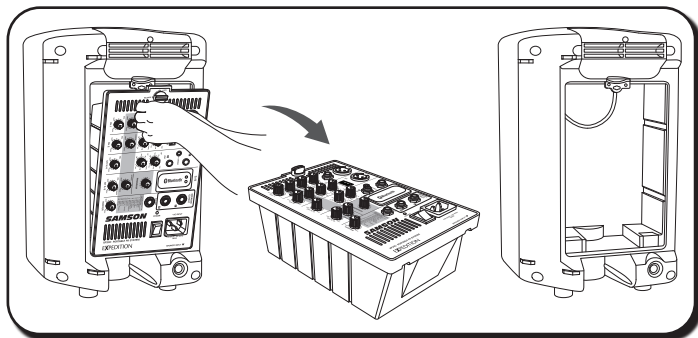
- Compact stereo PA system with onboard mixer, and 300 watt power amplifier that packs up into a single case.
- 2-way vented speaker enclosures with 6" woofers and 1" high frequency drivers.
- Internal 2 x 150 watt lightweight Class D power amplifier.
- Removable six channel mixer with two Mic inputs, USB Wireless mic input, Stereo Line Input channel and *Bluetooth*®
- Bass and Treble controls on the first three input channels.
- USB jack for connecting a Samson XPD Wireless microphone receiver.
- Sixteen, 24-bit digital effects.
- *Bluetooth*® connectivity allows you to stream wireless audio from your smartphone, tablet, or computer.
- Sub output allows for connecting an active subwoofer to expand the system.
- Includes 2 x 10' speaker cables.

Getting Started

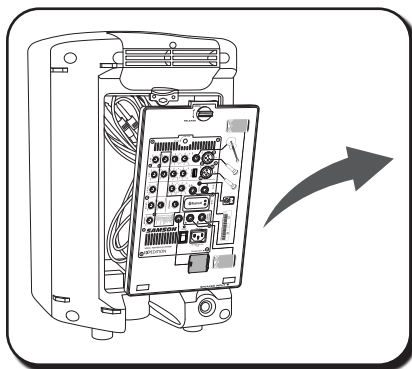
1. Remove the mixer by turning the quarter turn screw counterclockwise towards the RELEASE position.



2. Carefully hold the mixer to remove it from the speaker.

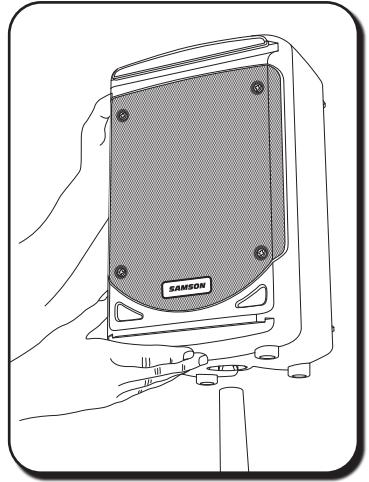


3. Remove the accessory compartment cover by turning the quarter turn screw counterclockwise towards the RELEASE position, and remove the included AC and speaker cables.
4. Replace the accessory panel by aligning the bottom of the panel with the slots. Make sure the quarter turn screw is in the RELEASE position; then close the panel and turn the quarter turn screw clockwise to LOCK.

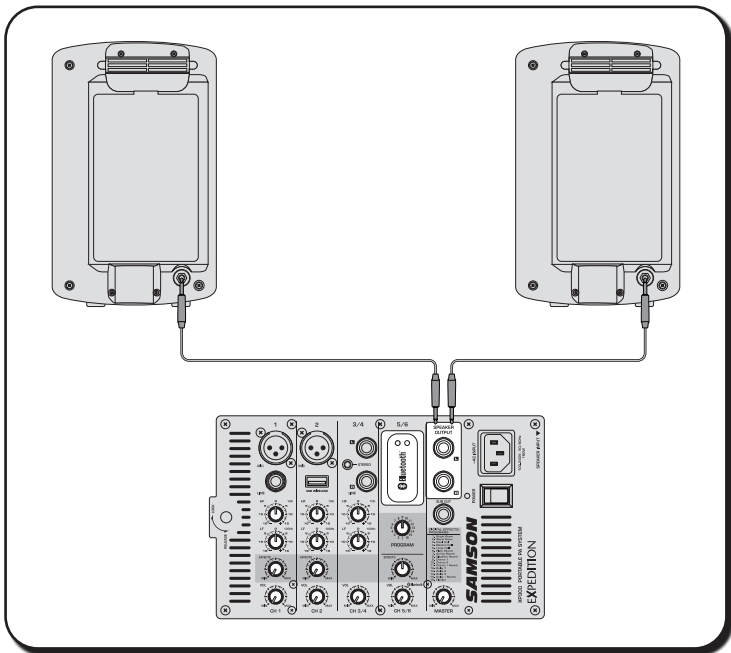


Getting Started

5. Position the speakers on the floor or on standard speaker stands.

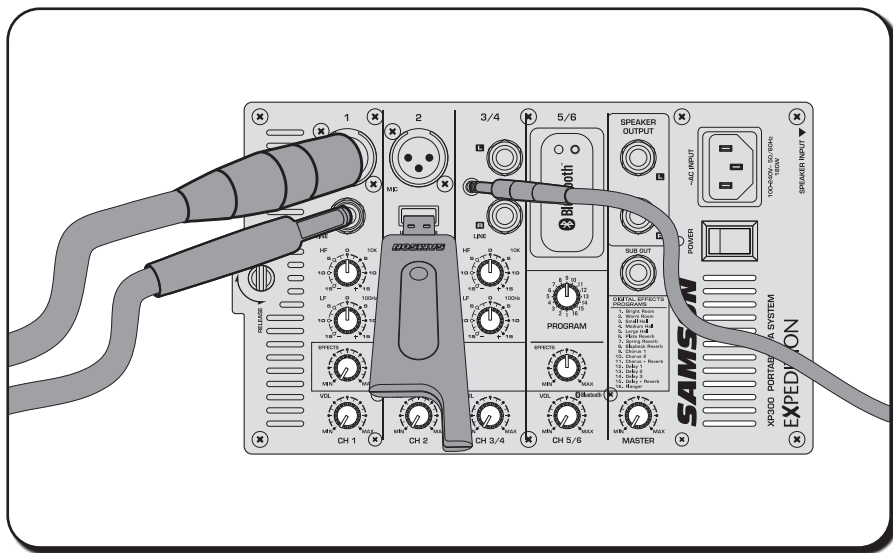


6. Using one of the included speaker cables, connect the mixer's LEFT SPEAKER OUT to the left speaker's input connector. Next, use the second included speaker cable to connect the RIGHT SPEAKER OUT to the right speaker's input connector.

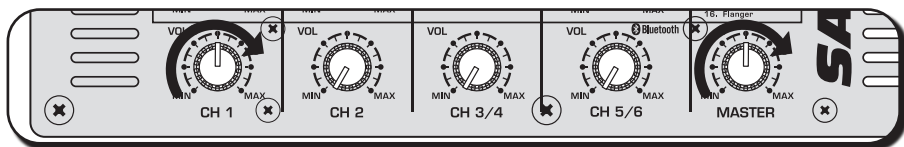


Quick Start

1. Be sure that the XP300's POWER switch is set to the OFF position.
2. Turn each of the channel LEVEL and MASTER volume controls fully counterclockwise, to the "0" position.
3. Next, connect one side of the included power cable to the XP300 mixer's power inlet and the other to a grounded AC power outlet.
4. Connect your microphones using standard XLR cables, instruments using 1/4" phone cables, and MP3 player using 1/8" cable, into the appropriate jacks on the mixer.
5. If using a Samson XPD Wireless Microphone system, plug the receiver into the CH 2 USB jack.
6. Switch on all equipment connected to the XP300 first, then switch the XP300's POWER switch to the ON position.



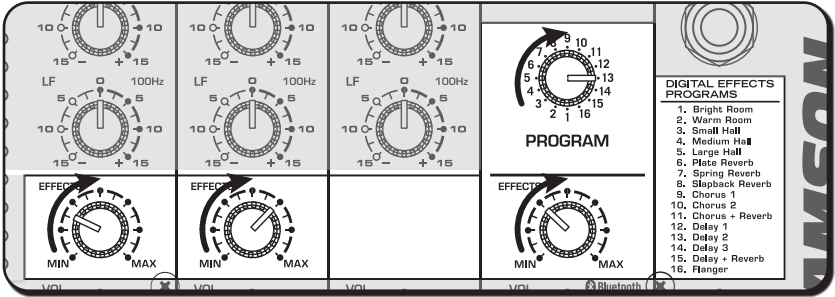
7. Turn the MASTER level control about 1/2 of the way up.
8. Start talking or playing into channel 1 while slowly adjusting the LEVEL control until you have reached the desired level. Do the same for each channel you are using.
9. If you notice that the LIMITER indicator is lighting constantly, turn the MASTER volume down so that the indicator only lights occasionally during loud hits.



Quick Start

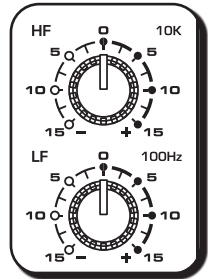
To add depth to the mix or smooth out vocals, you can apply effects such as reverb to the first two channels. To do this:

10. Use the PROGRAM selector to choose one of the 16 built-in digital effects.
11. Raise the EFFECTS level controls on the channel(s) to which you would like to add the effect.
12. Slowly turn up the effects SEND knob until the desired sound is reached.



The XP300 input channels feature a 2-band equalizer allowing you to adjust the tonal characteristic of the signal. You can independently adjust the bass and treble frequencies on each channel. The channel's frequency response is flat when the knobs are in the 12 o'clock position.

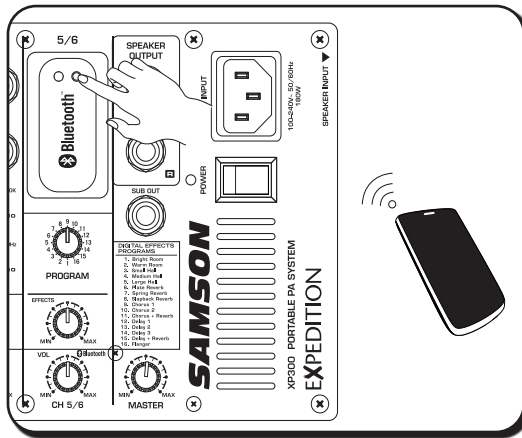
13. If you find the audio too muddy, you may want to reduce the LF (low frequency) control.
14. If you find that the audio sounds dull, you can increase the HF (high frequency) control. There is no right or wrong way to EQ a sound. You should listen to how the mix sounds in the room and fine-tune to your liking.



Pairing with a Bluetooth® device

Bluetooth® is a wireless communication technology that allows for connectivity between a wide range of devices. In order for your device to work with the XP300 it must first be paired.

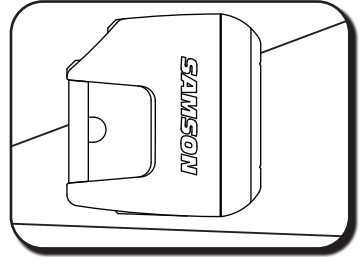
1. Turn all channel LEVEL controls down counterclockwise to **0**.
2. With the XP300 and your *Bluetooth* device powered on; press the PAIR button on the top panel of the XP300 mixer to make the speaker discoverable. The *Bluetooth* indicator will slowly flash blue.
3. In the settings of your *Bluetooth* device, set it to “discover” available devices.
4. From the *Bluetooth* device list, select the “Samson XP300” device.
5. If your device asks for a passkey, enter digits 0000 (four zeros) and press OK. Some devices may also ask you to accept the connection.
6. As the XP300 is connecting to your device, the *Bluetooth* indicator will quickly flash blue.
7. The XP300 speaker indicates that pairing is complete when the indicator turns steady blue. You can now stream audio from your device to the XP300 speakers.
8. With the volume control on your *Bluetooth* device turned up, play some music, and slowly raise the XP300 BLUETOOTH channel 5/6 LEVEL control until you have reached the desired level.



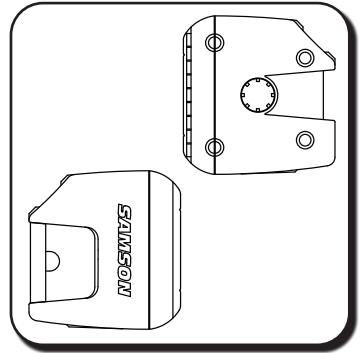
Configuring the XP300 for Transport

You can easily carry your sound system using the XP300 Slide and Lock feature. The Slide and Lock speaker enclosures allow you to connect both speakers together into a single, easy to carry unit. Follow these steps to configure the XP300 for transport.

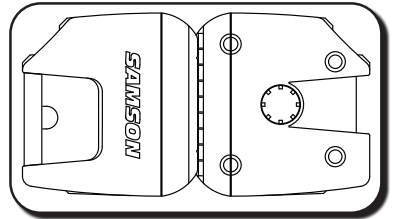
1. Place one speaker on the floor and set it on its side.



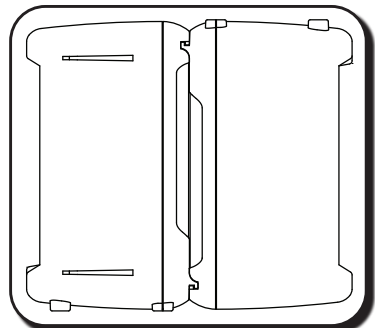
2. Position the second speaker above the first speaker and line up the "Slide and Lock" tracks and grooves so that they are parallel to the speaker on the floor. Speaker cabinets must be reversed with respect to top and bottom.
3. Slide the second speaker into the speaker on the floor making certain that the two speakers stay parallel to each other.



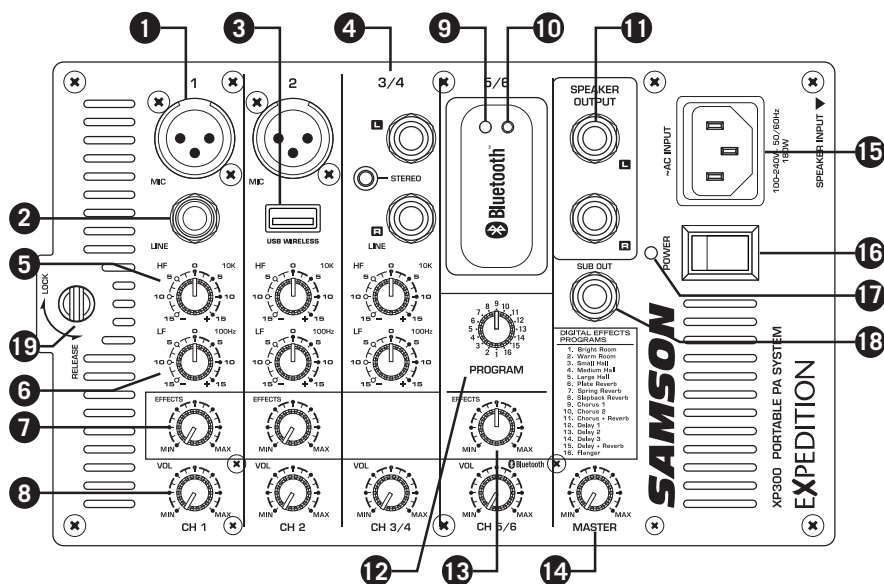
4. You will feel a slight click when the two speakers are in place.



5. The XP300 can now be carried or transported as a single unit.



XP300 Mixer Layout



- 1. XLR Mic Input Connectors (Channels 1-2)** – Use these XLR jacks to connect low impedance microphones, or low level signals from direct boxes, to the built-in mic preamps.
- 2. 1/4" Line Input Connector (Channel 1)** – Use this 1/4" jack to connect instrument or audio sources with line level signals.
- 3. USB WIRELESS Input** – Connect the optional Samson XPD digital wireless USB receiver to this input. The wireless receiver gets its power from the XP300, so no additional power supply is needed. The input is routed to the CH 2 VOL control.
Note: The USB connector is for the Samson XPD receiver only. The connector is not designed to charge smartphones, tablets, or similar devices.
- 4. Stereo Input Channel 3/4** – Use the Left (L) and Right (R) 1/4" inputs or stereo 1/8" (3.5mm) input to connect stereo line level devices.
- 5. High Frequency (HF)** – The HF knob controls the amount of treble applied to each channel. The channel's HIGH frequency response is flat when the knob is in the 12 o'clock or "0" position. Rotating the knob to the right will boost the channel's high frequency response above 10 kHz up to 15 dB, and rotating it towards the left will cut the high frequency response up to 15 dB.
- 6. Low Frequency (LF)** – The LF knob controls the amount of bass applied to each channel. The channel's LOW frequency response is flat when the knob is in the 12 o'clock or "0" position. Rotating the knob to the right will boost the channel's low frequency response below 100 Hz up to 15 dB, and rotating it towards the left will cut the low frequency response up to 15 dB.
- 7. EFFECTS Knobs** – Use the EFFECTS control knobs to add one of the sixteen digital effects to the Channel 1 or 2 input channels. As the knob is rotated clockwise, the level of signal sent to the effects bus is increased.

XP300 Mixer Layout

8. **VOL Control Knobs** – These knobs set the overall level for each input channel.
NOTE: To reduce noise, set the VOLUME controls on any unused channels to the minimum setting.
9. **Pairing Indicator** – Displays the *Bluetooth* status of the XP300 system.
10. **Pairing Button** – Press this button to enable discoverable mode in order to pair with a *Bluetooth* audio device.
11. **SPEAKER OUT Jacks** – The XP300 has two 1/4" phone connectors, which are powered outputs used to connect your left and right speakers. Use the included speaker cables to connect the speakers.
CAUTION: The total impedance load for each side of the amplifier must not be less than 8 ohms. Do not connect additional speakers to the XP300 mixer.
12. **Effects PROGRAM Selector** – This control knob is used to select one of 16, 24-bit DSP effects programs.
13. **EFFECTS Send Knob** – The EFFECTS Send knob is used to adjust the total amount of effects added to the master bus.
14. **MASTER Volume Knob** – The MASTER volume knob controls the overall output level. Signals from all six channels are routed here just before being routed to the built-in power amplifiers and Left and Right Speaker Output jacks.
15. **IEC Inlet** – Connect the supplied heavy-gauge 3-pin "IEC" power cable here.
16. **POWER Switch** – Use the POWER switch to turn power to the XP300 on or off.
17. **Power/Peak Indicator** – This LED will illuminate GREEN when the MAIN power switch is turned on, and light RED when the when the amp is near the clipping point. If the Peak indicator lights frequently, turn down the MASTER volume control or turn down the input channel VOL controls, until the indicator does not light anymore, or lights only occasionally with signal peaks.
18. **SUB OUT Connector** – This full-range output is used to send the main mix to an external active subwoofer. The signal present at this connector is the after the MASTER level control.
19. **Mixer Lock** – Turn this quarter turn lock counterclockwise, to the RELEASE position, to remove the mixer from the rear of the speaker cabinet. When transporting the XP300, make sure the lock is in the LOCK position.

Specifications

Amplifier		
RMS Power	300 W @ 4Ω (150 W per channel)	
Frequency Response	40 Hz - 20 kHz	
Power Consumption	AC Input 100V~240V 50/60Hz 180W	
Operating Temperature	14° F (-10° C) to 95° F (35° C)	
Speakers		
Low Frequency	6" bass transducer	
High Frequency	1" tweeter	
Mixer		
Inputs	XLR, 1/4", 3.5mm stereo, USB Wireless	
Outputs	1/4" Sub Out, 1/4" Speaker output	
Phantom Power	+24V DC, Fixed Phantom Voltage	
Input Channel EQ	High	10 kHz Shelving ±15 dB
	Low	100 Hz Shelving ±15 dB
Effects	16 Preset, 24-bit DSP	
Indicators	Two Color LED - Power/Peak	
Bluetooth®	Bluetooth 3.0, A2DP	
Modulation Technique	FHSS (GFSK, π/4-DQPSK, 8-DPSK)	
Dimensions and Weight		
System Dimensions (LxWxH)	15.6" x 8.6" x 14" 395 mm x 218 mm x 354 mm	
Speaker Dimensions (LxWxH)	8.6" x 8.2" x 13.9" 218 mm x 208 mm x 352 mm	
Weight	22.6 lb / 10.3 kg	

At Samson, we are continually improving our products, therefore specifications and images are subject to change without notice.

ENGLISH

FRANÇAIS

DEUTSCHE

ESPAÑOL

ITALIANO

Renseignements de sécurité importants



MISE EN GARDE
RISQUE DE CHOC ÉLECTRONIQUE -
NE PAS OUVRIR



Le symbole de l'éclair fléché à l'intérieur d'un triangle équilatéral permet d'avertir l'utilisateur de la présence d'une "tension dangereuse" non isolée à l'intérieur de l'appareil et d'une valeur suffisante qui peut provoquer un risque d'électrocution.



Le point d'exclamation à l'intérieur d'un triangle équilatéral permet d'avertir l'utilisateur de la présence de consignes importantes concernant le fonctionnement et l'entretien de l'appareil.



MISE EN GARDE

Pour éviter tout risque d'électrocution, ne branchez pas l'appareil sur le secteur lorsque la grille est retirée.

MISE EN GARDE : POUR RÉDUIRE LE RISQUE D'ÉLECTROCUTION, NE RETIREZ PAS LE COUVERCLE (OU LE PANNEAU ARRIÈRE) DANS LA MESURE OÙ IL N'Y A AUCUNE PIÈCE RÉPARABLE PAR L'UTILISATEUR. TOUTE RÉPARATION DOIT ÊTRE UNIQUEMENT CONFIEE À UN TECHNICIEN QUALIFIÉ.



Si vous souhaitez vous débarrasser de ce produit, ne le jetez pas avec les autres ordures ménagères. Les produits électroniques usagés doivent être traités séparément et conformément aux lois en vigueur en matière de traitement écologique, de récupération et de recyclage adéquats de ces produits.


Dans les 28 États membres de l'UE, en Suisse et en Norvège, les ménages sont autorisés à renvoyer gratuitement leurs produits électroniques usagés à des centres de collecte désignés ou à un revendeur (si vous en achetez un modèle neuf de même type).

Pour les pays ne figurant pas ci-dessus, veuillez contacter les autorités locales pour savoir comment le recycler de manière appropriée.

En procédant de la sorte, vous vous assurerez que votre produit jeté sera soumis au traitement, à la récupération et au recyclage nécessaires et éviterez ainsi les effets négatifs potentiels sur l'environnement et la santé humaine.

La marque et le logo *Bluetooth®* sont des marques déposées de Bluetooth SIG, Inc. et leur utilisation par Samson Technologies fait l'objet d'un accord de licence. Les autres marques et noms commerciaux sont ceux de leurs propriétaires respectifs."

Renseignements de sécurité importants

1. Lisez ces instructions.
 2. Conservez ces instructions.
 3. Tenez compte de tous les avertissements.
 4. Suivez toutes les instructions.
 5. N'utilisez pas cet appareil près d'un point d'eau.
 6. Nettoyez uniquement avec un chiffon sec.
 7. N'obstruez aucune des ouvertures de ventilation. Installez l'appareil conformément aux instructions du fabricant.
 8. N'installez pas cet appareil à proximité de sources de chaleur comme des radiateurs, des bouches d'air chaud, des fours ou tout autre appareil (y compris des amplificateurs) qui émettent de la chaleur.
 9. Ne retirez en aucun cas le dispositif de sécurité de la fiche polarisée ou de la fiche de terre. Les fiches polarisées sont équipées de deux broches de largeurs différentes. Une fiche de terre dispose de deux broches et d'une troisième de type terre. La grande broche ou la troisième broche sont fournies pour votre sécurité. Si la fiche fournie avec l'appareil ne correspond pas à la prise secteur de votre installation, faites remplacer cette dernière par un électricien.
 10. Le cordon d'alimentation doit être placé de manière à éviter qu'il soit piétiné ou pincé, notamment au niveau des prises, des réceptacles et à la sortie de l'appareil.
 11. Utilisez uniquement les accessoires/pièces spécifiés par le fabricant.
 12. Utilisez uniquement qu'avec le chariot, le pied, le trépied, le support ou la table recommandé par le fabricant, ou vendu avec l'appareil. Si vous placez l'appareil sur un chariot, veillez à le déplacer avec précaution pour éviter qu'un des deux éléments ne bascule et ne vous blesse.
- 
13. Débranchez l'appareil pendant les orages, le tri ou les longues périodes d'inutilisation.
 14. Toute réparation doit être uniquement confiée à un technicien qualifié. L'intervention d'un technicien est nécessaire dans les cas suivants : le cordon d'alimentation ou la fiche est endommagé, si du liquide a été renversé ou si des objets sont tombés sur l'appareil, exposition de l'appareil à la pluie ou à l'humidité, appareil qui ne fonctionne pas normalement ou que l'on a fait tomber.
 15. Cet appareil ne doit pas être exposé à des éclaboussures ou des gouttes d'eau et aucun objet rempli de liquide, tel qu'un vase, ne doit être posé sur l'appareil.
 16. Attention : pour éviter tout risque d'électrocution, faites correspondre la broche la plus large de la prise avec l'encoche la plus large et insérez correctement.
 17. Veuillez maintenir un environnement bien ventilé autour de tout l'appareil.
 18. **INTERRUPTEUR MARCHÉ/ARRÊT** : Pour les produits équipés d'un interrupteur d'alimentation, l'interrupteur d'alimentation **NE COUPLE PAS** le raccordement au système d'alimentation électrique.
 19. **COUPER LE COURANT** : La fiche doit rester constamment en état de marche. Pour un montage en rack ou une installation où la fiche n'est pas accessible, un interrupteur secteur omnipolaire espacé d'au moins 3 mm entre chaque pôle doit être intégré dans l'installation électrique du rack ou du bâtiment.
 20. Avertissement : L'appareil doit être raccordé à une prise SECTEUR pourvue d'une protection de mise à la terre.

Renseignements de sécurité importants

Avis de la FCC

1. Cet appareil est conforme au point 15 des réglementations de la FCC. Le fonctionnement est soumis aux deux conditions suivantes :
 - (1) Cet appareil ne peut causer d'interférences nuisibles.
 - (2) Cet appareil doit tolérer toute les interférences à proximité, y compris les interférences susceptibles d'occasionner un fonctionnement indésirable.
2. Tout changement ou modification non expressément approuvé par l'autorité responsable de l'appareil pourrait faire perdre à l'utilisateur son droit à utiliser cet équipement.

Déclaration de la FCC

Cet équipement a été testé et respecte les limitations d'un appareil numérique de classe B, conformément au point 15 des réglementations de la FCC. Ces normes sont destinées à offrir une protection efficace en cas d'interférences nuisibles dans le cadre d'une installation résidentielle.

Cet équipement génère, utilise et peut émettre de l'énergie radiofréquence et, s'il n'est pas installé et utilisé conformément aux présentes instructions, il peut engendrer des interférences nuisibles aux communications radio. Néanmoins, rien ne garantit qu'il n'y aura pas d'interférences dans une installation privée. Si cet équipement engendre des interférences nuisibles à la réception des signaux radio ou de télévision, qui peuvent être vérifiées en mettant l'appareil hors tension puis sous tension, l'utilisateur se doit de les corriger en prenant une ou plusieurs des mesures suivantes :

- Réorienter ou déplacer l'antenne de réception.
- Augmenter la distance entre l'équipement et le récepteur.
- Brancher l'équipement sur un circuit différent de celui auquel le récepteur récepteur est connecté.
- Consulter le revendeur ou un technicien radio/TV expérimenté pour obtenir de l'aide.

Énoncé de la FCC sur l'exposition aux irradiations

Cet équipement est conforme aux limitations prévues par la FCC pour l'exposition aux irradiations RF dans le cadre d'un environnement d'accès libre.

Avertissement RF

L'appareil a été évalué de manière à satisfaire aux exigences générales d'exposition aux radiofréquences. L'appareil peut être utilisé sans restriction dans des conditions d'exposition portable.

Présentation

Merci d'avoir acheté le système de sonorisation portable Expedition XP300 de Samson ! Le XP300 est un système de sonorisation compact, tout-en-un, portable, composé d'une table de mixage à six canaux et d'une puissance intégrée de 300 watts avec deux haut-parleurs 2 voies 6", ce qui en fait une solution idéale pour une variété d'applications de sonorisation de petite et moyenne taille. Le XP300 est également particulièrement facile à transporter en raison de son design "Slide and Lock" léger et unique.

La table de mixage à six canaux peut être démontée du haut-parleur pour une utilisation sur table ou peut être fixée sur pied à l'aide du trépied de la table de mixage SMS150 de Samson. Il dispose de deux entrées XLR pour brancher des microphones, un canal servant à raccorder le signal stéréo d'un lecteur MP3 ou d'un autre appareil électronique. Un processeur d'effets numériques 24 bits est également intégré pour ajouter des effets de qualité studio à votre voix ou à vos instruments. Pour lire de la musique, le XP300 dispose d'une connectivité *Bluetooth*[®] sans fil, qui vous permet de diffuser de l'audio depuis votre smartphone, tablette ou ordinateur. La table de mixage délivre une puissance de sortie remarquable, atteignant une puissance totale de 300 watts à partir de la section légère de l'amplificateur de classe D. Le XP300 fait appel à un système de haut-parleurs assortis avec deux haut-parleurs bidirectionnels dotés de woofers de 6 po et de haut-parleurs haute fréquence de 1 po exclusifs. Afin d'aider à projeter le son à un plus grand auditoire, les haut-parleurs XP300 peuvent être installés sur des socles standards, grâce aux prises intégrées pour montage sur un pied de haut-parleur. Le XP300 est composé d'un plastique ABS résistant aux chocs, lui conférant une grande robustesse en déplacement et une légèreté accrue.

Nous vous recommandons de conserver les documents suivants à titre de référence, ainsi qu'une copie de votre reçu de caisse.

Numéro de série : _____

Date d'achat : _____

Si vous avez des questions ou des commentaires concernant le système de sonorisation portable XP300 ou tout autre produit Samson, n'hésitez pas à nous contacter à support@samsontech.com.

Avec un usage et un entretien adéquat, ce produit devrait vous fournir plusieurs années de bon service. Si votre système de sonorisation portable XP300 requiert une réparation, un numéro d'autorisation de retour (RA) doit être obtenu avant d'expédier votre appareil à Samson. Sans ce numéro, l'appareil ne sera pas accepté. Veuillez consulter le site www.samsontech.com/ra pour obtenir un numéro RA avant d'expédier votre appareil. Veuillez conserver les matériaux d'emballage d'origine et, si possible, retourner l'appareil dans son emballage d'origine. Si vous avez acheté votre système de sonorisation portable XP300 en dehors des États-Unis, contactez votre distributeur local.

ENGLISH

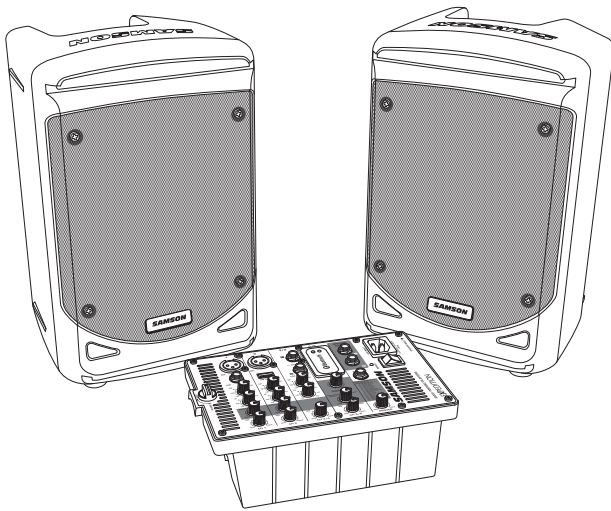
FRANÇAIS

DEUTSCHE

ESPAÑOL

ITALIANO

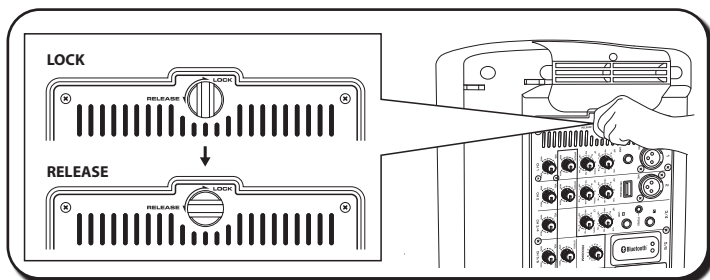
Caractéristiques



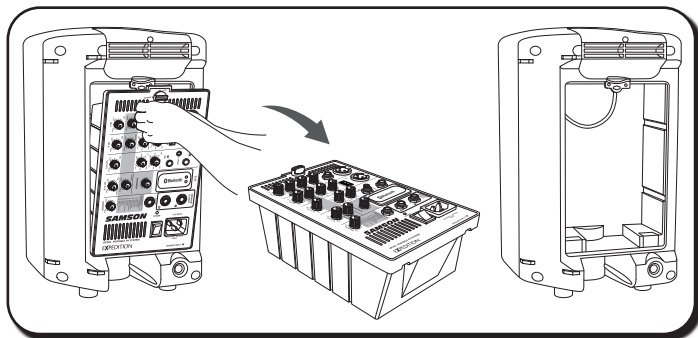
- Système de sonorisation stéréo compact avec table de mixage intégrée et amplificateur de puissance de 300 watts qui se range dans un seul boîtier.
- Enceintes à 2 voies avec haut-parleurs de grave de 6" et haut-parleurs de haute fréquence de 1".
- Amplificateur de puissance interne de classe D, 2 x 150 watts, de poids léger.
- Table de mixage à six canaux amovible avec deux entrées micro, entrée micro USB sans fil, entrée ligne stéréo et canal *Bluetooth®*
- Commandes des graves et des aigus sur les trois premiers canaux d'entrée.
- Prise USB pour brancher un récepteur de microphone sans fil Samson XPD.
- 16 effets numériques 24 bits.
- *Bluetooth®* : la connectivité Bluetooth® vous permet de diffuser de l'audio sans fil à partir de votre smartphone, tablette ou ordinateur.
- La sortie Sub permet de brancher un subwoofer en fonction afin de compléter le système.
- Comprend 2 câbles de haut-parleurs de 2 x 10'

Mise en route

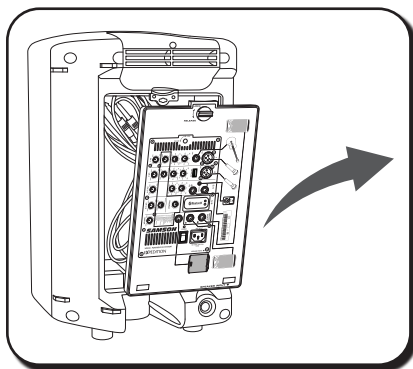
1. Retirez la table de mixage en tournant la vis papillon dans le sens inverse des aiguilles d'une montre pour la DÉVERROUILLER.



2. Tenez doucement la table de mixage pour la retirer du haut-parleur.

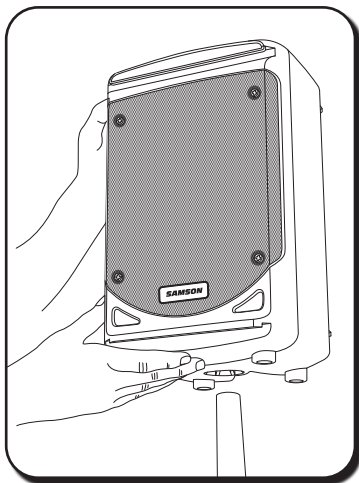


3. Enlevez le couvercle du compartiment des accessoires en tournant la vis papillon dans le sens inverse des aiguilles d'une montre pour la DÉVERROUILLER, et retirez les câbles CA et des haut-parleurs fournis.
4. Remplacez le panneau d'accessoires en alignant le bas du panneau dans les fentes. S'assurer que la vis papillon soit DÉVERROUILLÉE (DEBLOQUER), puis fermez le panneau et tournez la vis papillon dans le sens des aiguilles d'une montre sur VERROUILLER.

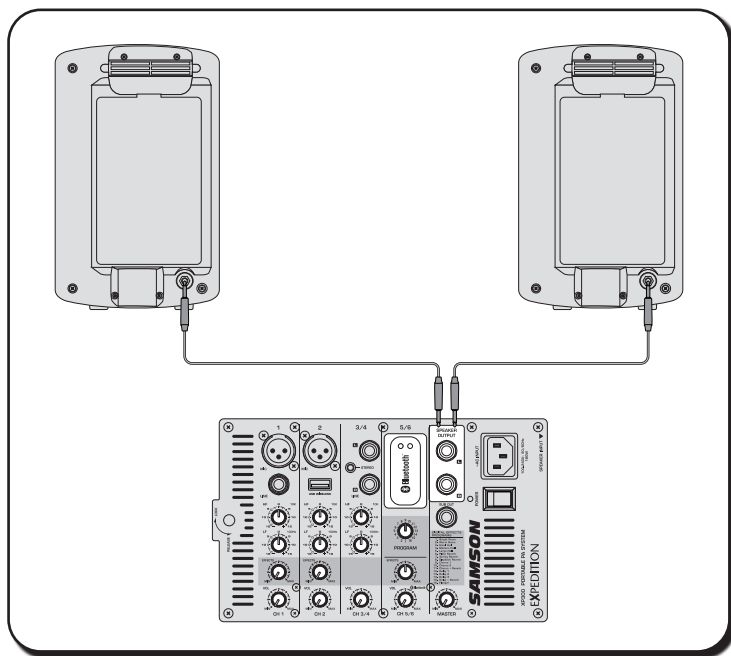


Mise en route

5. Placez les haut-parleurs sur le sol ou sur des pieds d'enceintes standard.

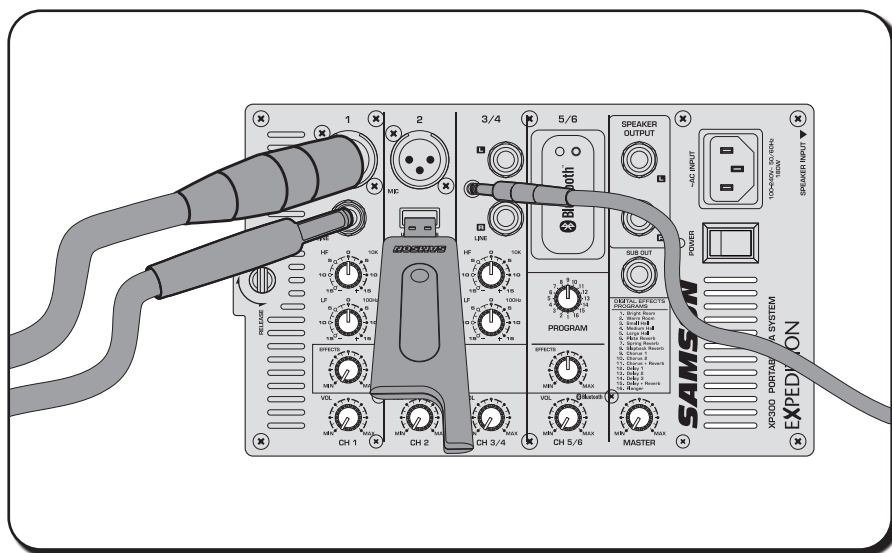


6. À l'aide de l'un des câbles de haut-parleurs fournis, branchez la sortie GAUCHE DU HAUT-PARLEUR de la table de mixage sur le connecteur d'entrée du haut-parleur gauche. Ensuite, utilisez le deuxième câble de haut-parleur fourni pour brancher la SORTIE DROITE DU HAUT-PARLEUR au connecteur d'entrée du haut-parleur du côté droit.

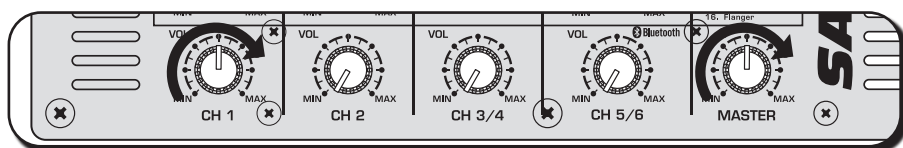


Démarrage rapide

1. Assurez-vous que l'interrupteur POWER du XP300 est en position ARRÊT.
2. Tournez à fond dans le sens contraire des aiguilles d'une montre de chaque commande de volume LEVEL et MASTER de chaque canal, jusqu'à la position "0".
3. Branchez ensuite un côté du câble d'alimentation fourni à l'entrée d'alimentation de la table de mixage XP300 et l'autre à une prise de courant CA reliée à la terre.
4. Branchez vos microphones à l'aide de câbles XLR standard, vos instruments à l'aide de câbles téléphoniques 1/4" et votre lecteur MP3 à l'aide de câbles 1/8" dans les prises appropriées de la table de mixage.
5. Si vous utilisez un système de microphone sans fil Samson XPD, branchez le récepteur dans la prise USB CH 2.
6. Allumez d'abord tous les appareils connectés au XP300, puis mettez le commutateur d'alimentation du XP300 en position MARCHÉ.



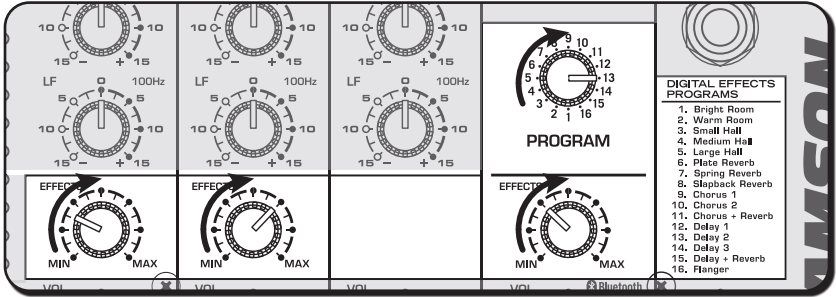
7. Tournez la commande de volume PRINCIPAL à mi-chemin environ vers le haut.
8. Commencez à parler ou à lire sur le canal 1 tout en ajustant lentement la commande VOLUME jusqu'à ce que vous ayez atteint le niveau désiré. Faites de même pour chaque canal que vous utilisez.
9. Si vous remarquez que le voyant LIMITER s'allume en permanence, baissez le volume du MASTER afin que le voyant ne s'allume occasionnellement en cas de forts bruits.



Démarrage rapide

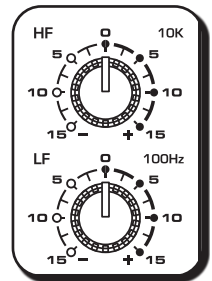
Pour ajouter de la profondeur au mixage ou adoucir les voix, vous pouvez appliquer des effets tels que la réverbération aux deux premiers canaux. Pour ce faire :

10. Utilisez le sélecteur PROGRAM pour choisir l'un des 16 effets numériques intégrés.
11. Levez les commandes de réglage de niveau EFFETS sur le(s) canal(s) auquel(s) vous souhaitez ajouter l'effet.
12. Augmentez lentement le bouton d'effets SEND jusqu'à ce que le son désiré soit atteint.



Les canaux d'entrée du XP300 sont équipés d'un égaliseur à 2 bandes vous permettant de moduler le son du signal. Il est possible de régler indépendamment les fréquences basses et aiguës de chaque canal de façon indépendante. La réponse en fréquence du canal est uniforme lorsque les boutons sont positionnés à 12 heures.

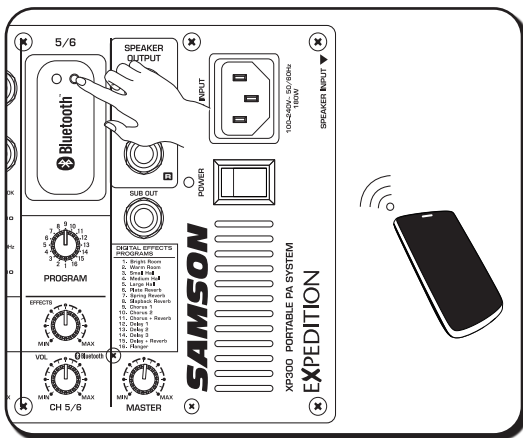
13. Si vous trouvez l'audio trop trouble, il se peut que vous souhaitiez réduire la commande LF (basse fréquence).
14. Si vous trouvez que l'audio semble terne, vous pouvez augmenter la commande HF (haute fréquence). Toute méthode d'égalisation d'un son comporte son lot d'avantages et d'inconvénients. Nous vous conseillons donc d'écouter le son du mixage dans la pièce et de l'ajuster à votre convenance.



Appairage avec un appareil Bluetooth®

Bluetooth® : technologie de communication sans fil facilitant la connectivité entre un grand nombre d'appareils. Votre appareil doit d'abord être appairé pour fonctionner avec le XP300.

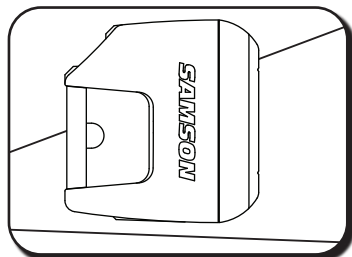
1. Tournez toutes les commandes de VOLUME du canal vers le bas dans le sens inverse des aiguilles d'une montre jusqu'à 0.
2. Lorsque le XP300 et votre appareil *Bluetooth* sont sous tension, appuyez sur le bouton PAIR situé sur le panneau supérieur de la table de mixage XP300 pour que celle-ci soit détectée. Le voyant *Bluetooth* clignote lentement en bleu.
3. Dans les paramètres de votre appareil *Bluetooth* réglez-le sur "Rechercher" les périphériques disponibles.
4. Dans la liste des périphériques *Bluetooth* sélectionnez l'appareil "Samson XP300".
5. Dans le cas où votre appareil vous demande un mot de passe, entrez les chiffres 0000 (quatre zéros) et appuyez sur OK. Certains appareils peuvent également vous demander d'accepter la connexion.
6. Dès que le XP300 se connecte à votre appareil, le voyant *Bluetooth* clignote rapidement en bleu.
7. Le haut-parleur XP300 indique que l'appairage est terminé lorsque le voyant devient bleu fixe. Vous pouvez maintenant diffuser de l'audio de votre appareil vers les haut-parleurs du XP300.
8. Lorsque la commande de volume de votre appareil *Bluetooth* est activée, écoutez de la musique et augmentez lentement la commande de volume 5/6 du canal BLUETOOTH XP300 jusqu'au volume souhaité.



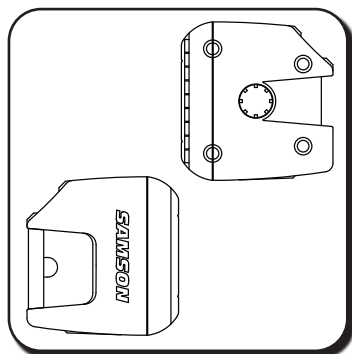
Configuration du XP300 pour le transport

Vous pouvez facilement transporter votre système de sonorisation à l'aide de la fonction Slide and Lock du XP300. Les boîtiers d'enceintes Slide and Lock des haut-parleurs vous permettent de relier les deux haut-parleurs ensemble en un seul appareil facile à transporter. Suivez ces étapes de configuration du XP300 pour le transport.

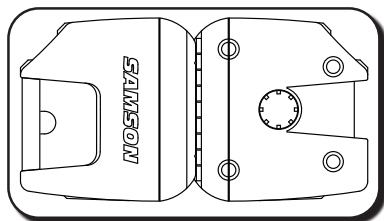
1. Placez haut-parleur sur le sol et mettez-le sur le côté.



2. Placez le deuxième haut-parleur au-dessus du premier et alignez les fentes et les rainures "Slide and Lock" de manière à ce qu'elles soient parallèles au haut-parleur sur le sol. Les enceintes doivent être inversées par rapport au haut et au bas.

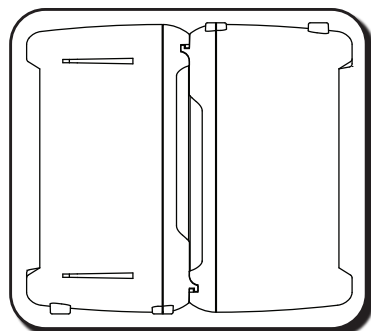


3. Glissez le deuxième haut-parleur dans celui au sol en vous assurant que les deux enceintes restent parallèles l'un à l'autre.

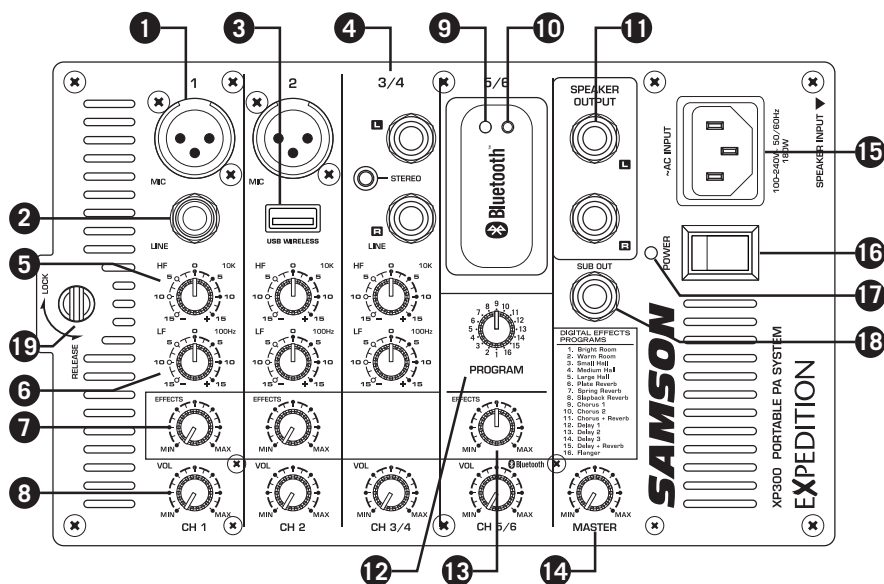


4. Vous entendrez un léger déclic lorsque les deux haut-parleurs seront en place.

5. Dorénavant, le XP300 peut maintenant être déplacé ou transporté en un seul appareil.



Disposition de la table de mixage XP300



- Connecteurs d'entrée micro XLR (canaux 1-2)** - Utilisez ces prises XLR pour brancher des microphones à faible impédance, ou des signaux de faible niveau provenant de boîtiers de direct, aux pré-amplis micro intégrés.
- Connecteur d'entrée ligne 1/4" (canal 1)** - Utilisez cette prise jack 1/4" pour brancher un instrument ou des sources audio avec des signaux de niveau ligne.
- Entrée USB SANS FIL** - Branchez le récepteur numérique sans fil USB Samson XPD en option à cette entrée. Le récepteur sans fil est alimenté par le XP300, donc aucune alimentation supplémentaire n'est requise. L'entrée est acheminée vers la commande CH 2 VOL.
Remarque : Le connecteur USB est réservé au récepteur Samson XPD. Le connecteur n'est pas conçu pour charger des smartphones, des tablettes ou des appareils de même type.
- Canal d'entrée stéréo 3/4** - Utilisez les entrées gauche (L) et droite (R) 1/4" ou l'entrée stéréo 1/8" (3,5 mm) pour brancher des appareils stéréo de niveau de ligne.
- Haute fréquence (HF)** - Le bouton HF permet de régler la quantité d'aigus appliquée à chaque canal. La réponse en fréquence du canal est uniforme lorsque les boutons sont positionnés à 12 heures. Tourner le bouton vers la droite augmentera la réponse en hautes fréquences du canal de plus de 10 kHz jusqu'à 15 dB, et le tourner vers la gauche réduira la réponse en hautes fréquences jusqu'à 15 dB.
- Haute fréquence (HF)** - Le bouton HF permet de régler la quantité d'aigus appliquée à chaque canal. La réponse en fréquence du canal est uniforme lorsque les boutons sont positionnés à 12 heures ou "0". Tourner le bouton vers la droite augmentera la réponse en hautes fréquences du canal de plus de 100 Hz jusqu'à 15 dB, et le tourner vers la gauche réduira la réponse en hautes fréquences jusqu'à 15 dB.
- Boutons EFFETS** - Utilisez les boutons de commande EFFETS pour ajouter l'un des seize effets numériques aux canaux d'entrée du canal 1 ou 2. En tournant le bouton dans le sens des aiguilles d'une montre, le niveau du signal envoyé au processeur d'effets est augmenté.

Disposition de la table de mixage XP300

8. **Boutons de commande VOL** - Ces boutons définissent le volume global pour chaque canal d'entrée.
REMARQUE : Pour réduire le bruit, réglez les commandes VOLUME des canaux inutilisés sur le réglage minimum.
9. **Voyant d'appairage** - Affiche l'état *Bluetooth* du système XP300.
10. **Bouton d'appairage** - Appuyez sur ce bouton pour activer le mode de détection afin de l'apparier avec un appareil audio *Bluetooth*.
11. **Prises SPEAKER OUT** - Le XP300 dispose de deux connecteurs téléphoniques 1/4", lesquels sont des sorties d'alimentation utilisées pour le branchement de vos haut-parleurs de gauche et de droite. Utilisez les câbles de haut-parleurs fournis pour brancher les haut-parleurs.
MISE EN GARDE : Pour chaque côté de l'amplificateur, l'impédance totale ne doit pas être inférieure à 8 ohms. Ne branchez pas de haut-parleurs supplémentaires à la table de mixage XP300.
12. **Sélecteur d'effets PROGRAM** - Ce bouton de commande sert à sélectionner l'un des programmes d'effets DSP 16, 24 bits.
13. **Bouton EFFECTS Send** - Le bouton EFFECTS Send permet de régler le nombre total d'effets ajoutés au processeur principal.
14. **Bouton de volume MASTER** - Le bouton de volume MASTER permet de régler le volume de sortie global. Les signaux des six canaux sont acheminés ici juste avant d'être transmis aux amplificateurs de puissance intégrés et aux prises de sortie des haut-parleurs de gauche et de droite.
15. **Entrée CEI** - Raccordez ici le câble d'alimentation "CEI" à 3 broches de gros calibre fourni.
16. **Commutateur d'alimentation** - Utilisez le commutateur d'alimentation pour mettre le XP300 sous tension ou hors tension.
17. **Voyant d'alimentation/pic** - Ce voyant passe au VERT lorsque le commutateur d'alimentation principale est allumé, et en ROUGE lorsque l'ampli est sur le point de surmoduler. Si le voyant Pic s'allume fréquemment, baissez le volume du MASTER ou baissez les commandes VOL du canal d'entrée jusqu'à ce que le voyant ne s'allume plus, ou qu'il ne le fasse qu'occasionnellement en cas de pics de signaux.
18. **Connecteur SUB OUT** - Cette sortie à large bande est utilisée pour envoyer le mixage principal à un Subwoofer externe en fonction. Le signal présent sur ce connecteur est celui suivant la commande de volume MASTER.
19. **Verrouillage de la table de mixage** - Tournez ce verrou papillon dans le sens inverse des aiguilles d'une montre, à la position DÉVERROUILLER, pour retirer la table de mixage de l'arrière du haut-parleur. Lors du transport du XP300, assurez-vous que le verrou est à la position VERROUILLER.

Caractéristiques techniques

Amplificateur		
Puissance RMS	300 W @ 4Ω (150 W par canal)	
Réponse en fréquence	40 Hz - 20 kHz	
Consommation électrique	Entrée AC 100V~240V 50/60Hz 180W	
Température de fonctionnement	14° F (-10° C) à 95° F (35° C)	
Haut-parleurs		
Basse Fréquence	transducteur de basse de 6 po	
Haute Fréquence	haut-parleur de 1 po	
Table de mixage		
Entrées	XLR, 1/4", stéréo 3.5mm, USB sans fil	
Sorties	Sortie Sub-Sub 1/4", " sortie haut-parleur 1/4	
Alimentation fantôme	+24V DC, Tension fantôme fixe	
Égaliseur du canal d'entrée	Élevé	10 kHz Rayonnage ±15 dB
	Faible	100 Hz Rayonnage ±15 dB
Effets	16 préréglages, DSP 24 bits	
Témoins	Témoin bicolore - Alimentation/Pic	
Bluetooth®	Bluetooth 3.0, A2DP	
Technique de modulation	FHSS (GFSK, p/4-DQPSK, 8-DPSK)	
Dimensions et poids		
Dimensions du système (LxLxH)	15,6 po x 8,6 po x 14 po 395 mm x 218 mm x 354 mm	
Dimensions des hauts-parleurs (LxLxH)	8,6 po x 8,2 po x 13,9 po 218 mm x 208 mm x 352 mm	
Poids	22,6 lb / 10,3 kg	

Chez Samson, nous améliorons continuellement nos produits. Nos spécifications produits et nos images peuvent être modifiées sans préavis.

Wichtige Sicherheitsinformationen



ACHTUNG
STROMSCHLAGGEFAHR – NICHT ÖFFNEN



Dieses Blitzsymbol mit Pfeilspitze in einem gleichseitigen Dreieck soll den Benutzer auf das Vorhandensein einer nicht isolierten „gefährlichen Spannung“ im Gehäuse des Produkts aufmerksam machen, die von ausreichender Größe sein kann, um eine Gefahr eines Stromschlags darzustellen.



Das Ausrufezeichen innerhalb eines gleichseitigen Dreiecks soll den Benutzer auf das Vorhandensein wichtiger Betriebs- und Wartungsanweisungen in den dem Gerät beiliegenden Unterlagen hinweisen.



VORSICHT

Um die Gefahr eines Stromschlags zu vermeiden, schließen Sie das Gerät nicht an das Stromnetz an, wenn das Schutzgitter entfernt wurde.

WARNUNG: UM DAS RISIKO EINES STROMSCHLAGS ZU VERRINGERN, ENTFERNEN SIE KEINESFALLS DIE ABDECKUNG (ODER DIE RÜCKSEITE) DES GERÄTS, DA SICH IM INNEREN KEINE VOM BENUTZER ZU WARTENDEN TEILE BEFINDEN. WENDEN SIE SICH BEI WARTUNGSBEDARF AN QUALIFIZIERTES SERVICEPERSONAL.



Dieses Produkt darf nicht mit dem allgemeinen Hausmüll entsorgt werden. Es ist ein separates Sammelsystem für gebrauchte Elektronikprodukte in Übereinstimmung mit den gesetzlichen Bestimmungen verfügbar, die eine ordnungsgemäße Verwertung, Rückgewinnung und Recycling vorschreiben.


Privathaushalte in den 28 Mitgliedsstaaten der EU, in der Schweiz und in Norwegen können ihre gebrauchten elektronischen Produkte kostenlos an benannten Sammelstellen oder (bei Kauf eines ähnlichen neuen Produkts) an einen Einzelhändler zurückgeben.

Bitte wenden Sie sich in oben nicht erwähnten Ländern an Ihre örtlichen Behörden, um Informationen zur korrekten Entsorgungsmethode anzufordern.

Auf diese Weise stellen Sie sicher, dass Ihr entsorgtes Produkt auf angemessene Weise behandelt, verwertet und recycelt wird, und Sie verhindern mögliche negative Auswirkungen auf die Umwelt und die menschliche Gesundheit.

Die *Bluetooth*-Wortmarke und -Logos sind eingetragene Marken und sind das Eigentum von Bluetooth SIG, Inc., und jede Verwendung dieser Marken durch Samson Technologies erfolgt unter Lizenz. Andere Marken und Handelsnamen gehören den jeweiligen Eigentümern.

Wichtige Sicherheitsinformationen

1. Lesen Sie diese Anleitung.
 2. Bewahren Sie diese Anleitung auf.
 3. Beachten Sie alle Warnungen.
 4. Befolgen Sie alle Anweisungen.
 5. Verwenden Sie dieses Gerät nicht in der Nähe von Wasser.
 6. Nur mit einem trockenen Tuch reinigen.
 7. Blockieren Sie keine Lüftungsöffnungen. Installieren Sie das Gerät gemäß den Anweisungen des Herstellers.
 8. Installieren Sie es nicht in der Nähe von Wärmequellen wie Heizkörpern, Heizregistern, Öfen oder anderen Geräten (einschließlich Verstärkern), die Wärme abgeben.
 9. Modifizieren Sie nicht die Sicherheitselemente des polarisierten oder geerdeten Steckers. Ein polarisierter Stecker hat zwei flache Kontakte, von denen einer breiter als der andere ist. Ein geerdeter Stecker hat zwei flache Kontakte und einen dritten Erdungsstift. Der breite Kontakt bzw. der dritte Stift dient der Sicherheit. Wenn der mitgelieferte Stecker nicht in Ihre Steckdose passt, wenden Sie sich an einen Elektriker, um die veraltete Steckdose auszutauschen.
 10. Achten Sie darauf, dass das Netzkabel nicht im Weg liegt oder eingeklemmt werden kann, insbesondere an den Steckern, Steckdosenleisten und an der Stelle, an der das Kabel am Gerät angeschlossen ist.
 11. Verwenden Sie nur vom Hersteller spezifizierte Anschluss-/Zubehörteile.
 12. Verwenden Sie das Gerät nur mit vom Hersteller angegebenen oder mit dem Gerät verkauften Wagen, Ständern, Stativen, Haltern oder Tischen. Wenn ein Wagen verwendet wird, ist beim Bewegen der Wagen/Geräte-Kombination Vorsicht geboten, um Verletzungen durch Umkippen zu vermeiden.
- 
13. Trennen Sie das Gerät bei Gewittern oder Nichtbenutzung während eines längeren Zeitraums von der Stromquelle ab.
 14. Überlassen Sie alle Wartungsarbeiten qualifiziertem Personal. Wartungsmaßnahmen sind erforderlich, wenn das Gerät in irgendeiner Weise beschädigt ist, z.B. wenn das Netzkabel oder der Stecker beschädigt ist, Flüssigkeit über das Gerät verschüttet wurde oder Gegenstände in das Gerät gefallen sind oder wenn das Gerät Regen oder Feuchtigkeit ausgesetzt war, nicht normal funktioniert oder heruntergefallen ist.
 15. Dieses Gerät darf weder Tropf- noch Spritzwasser ausgesetzt sein, und es dürfen keine mit Flüssigkeit gefüllten Gegenstände, wie z. B. Vasen, auf das Gerät gestellt werden.
 16. Um einen Stromschlag zu vermeiden, muss der breite Kontakt des Steckers vollständig in den breiten Anschluss in der Steckdose eingesteckt sein.
 17. Sorgen Sie für gute Entlüftung rund um das Gerät.
 18. EIN/AUS-SCHALTER: Bei Produkten mit Netzschalter kann mit dem Netzschalter NICHT die Verbindung mit dem Netz getrennt werden.
 19. TRENNUNG DER VERBINDUNG MIT DEM NETZ: Der Stecker sollte leicht bedienbar bleiben. Bei Rackmontage oder bei Installationen, bei denen der Stecker nicht zugänglich ist, muss ein allpoliger Netzschalter mit einem Kontaktabstand von mindestens 3 mm in jedem Pol in die elektrische Installation des Racks oder des Gebäudes integriert werden.
 20. Warnung: Das Gerät ist an eine Netzsteckdose mit Schutzerdung anzuschließen.

Wichtige Sicherheitsinformationen

FCC-Mitteilung

1. Dieses Gerät entspricht Teil 15 der FCC-Vorschriften. Der Betrieb unterliegt den folgenden beiden Bedingungen:
 - (1) Dieses Gerät darf keine schädlichen Störungen verursachen.
 - (2) Dieses Gerät muss alle empfangenen Störungen akzeptieren, einschließlich Störungen, die einen unerwünschten Betrieb verursachen können.
2. Änderungen oder Modifikationen, die nicht ausdrücklich von der für die Einhaltung der Vorschriften verantwortlichen Stelle genehmigt wurden, können dazu führen, dass die Befugnis des Benutzers zum Betrieb des Geräts erlischt.

FCC-Erklärung

Dieses Gerät wurde getestet und entspricht den Grenzwerten für ein digitales Gerät der Klasse B gemäß Teil 15 der FCC-Vorschriften. Diese Grenzwerte sollen einen angemessenen Schutz vor schädlichen Störungen in einer Wohnanlage bieten.

Dieses Gerät erzeugt, verwendet und kann Hochfrequenzenergie abstrahlen und kann schädliche Störungen der Funkkommunikation verursachen, wenn es nicht in Übereinstimmung mit den Anweisungen installiert und verwendet wird. Es gibt jedoch keine Garantie dafür, dass bei einer bestimmten Installation keine Störungen auftreten. Wenn dieses Gerät schädliche Störungen des Radio- oder Fernsehempfangs verursacht, was durch Aus- und Einschalten des Geräts festgestellt werden kann, wird dem Benutzer empfohlen zu versuchen, die Störungen durch eine oder mehrere der folgenden Maßnahmen zu beheben:

- Richten Sie die Empfangsantenne neu aus oder verlegen Sie sie.
- Vergrößern Sie den Abstand zwischen Gerät und Empfänger.
- Schließen Sie das Gerät an eine Steckdose in einem anderen Stromkreis als dem des Empfängers an.
- Wenden Sie sich an den Händler oder einen erfahrenen Radio-/Fernsehtechniker, um Hilfe anzufordern.

FCC-Erklärung zur Strahlenbelastung

Dieses Gerät entspricht den FCC-Grenzwerten für HF-Strahlung, die für eine unkontrollierte Umgebung festgelegt sind.

HF-Warnhinweis

Das Gerät entspricht laut Bewertung den allgemeinen Anforderungen für HF-Strahlenbelastung. Das Gerät kann ohne Einschränkung im mobilen Einsatz verwendet werden.

Einführung

Herzlichen Glückwunsch zum Kauf des tragbaren Beschallungssystems Expedition XP300 von Samson! Das XP300 ist ein kompaktes, tragbares All-in-One-Beschallungssystem mit einem Sechskanal-Mischpult und 300 Watt Leistung und zwei 2-Wege-Lautsprechern (6 Zoll). Damit ist es die ideale Lösung für eine Vielzahl von Beschallungszwecken in kleinem bis mittlerem Umfang. Das XP300 ist dank des leichten und einzigartigen „Slide and Lock“-Konzepts auch mühelos tragbar.

Das Sechskanal-Mischpult kann für den Einsatz auf einem Tisch vom Lautsprecher abgetrennt werden oder mit dem Samson SMS150 Mixer Stand Holder auf einem Stativ montiert werden. Das System verfügt über zwei XLR-Eingänge zum Anschluss von Mikrofonen und einen Kanal zum Anschluss eines Stereosignals von einem MP3-Player oder einem anderen elektronischen Gerät. Außerdem ist es mit einem integrierten 24-Bit-Digital-Effektprozessor ausgestattet, mit dem Sie Ihrer Stimme oder Ihren Instrumenten Effekte in Studioqualität hinzufügen können. Für die Musikwiedergabe verfügt das XP300 über drahtlose *Bluetooth*[®]-Konnektivität für die Übertragung von Audio von einem Smartphone, Tablet oder Computer. Das Mischpult bietet eine robuste Gesamtleistung von 300 Watt im leichten Class-D-Verstärkerbereich. Das XP300 verwendet ein angepasstes Lautsprechersystem in zwei 2-Wege-Gehäusen mit proprietären 6-Zoll-Tieftönern und 1-Zoll-Hochfrequenztreibern. Um größere Publikumsbereiche zu beschallen, können die XP300-Lautsprecher mithilfe der integrierten Polhalterungen auf Standard-Lautsprecherständern montiert werden. Das XP300 ist aus langlebigem ABS-Kunststoff gefertigt, sodass es extrem strapazierfähig und trotzdem leicht ist.

Wir empfehlen Ihnen, die folgenden Angaben sowie eine Kopie Ihres Kaufbelegs aufzubewahren.

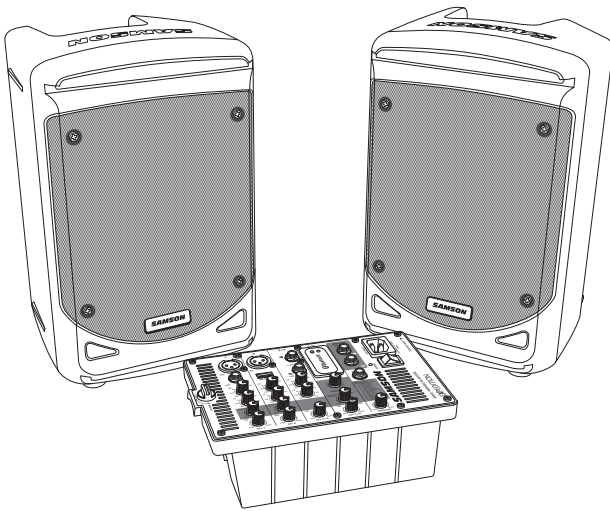
Seriennummer: _____

Kaufdatum: _____

Bitte zögern Sie nicht, uns unter support@samsontech.com zu kontaktieren, wenn Sie Fragen oder Anmerkungen zum tragbaren Beschallungssystem XP300 oder zu anderen Produkten von Samson haben.

Bei sachgemäßer Pflege und Wartung bleibt Ihr tragbares Beschallungssystem XP300 über viele Jahre störungsfrei verfügbar. Sollte Ihr tragbares Beschallungssystem XP300 jedoch zu irgendeinem Zeitpunkt Wartungsmaßnahmen erfordern, muss vor dem Versand des Geräts an Samson eine Rücksendenummer (RA-Nummer) angefordert werden. Ohne diese Nummer wird das Gerät nicht akzeptiert. Bitte besuchen Sie www.samsontech.com/ra, um vor dem Versand des Geräts eine RA-Nummer anzufordern. Bitte bewahren Sie die Originalverpackungsmaterialien auf und senden Sie das Gerät nach Möglichkeit im Originalkarton zurück. Wenden Sie sich an Ihren Händler vor Ort, falls Sie das tragbare Beschallungssystem XP300 außerhalb der USA gekauft haben.

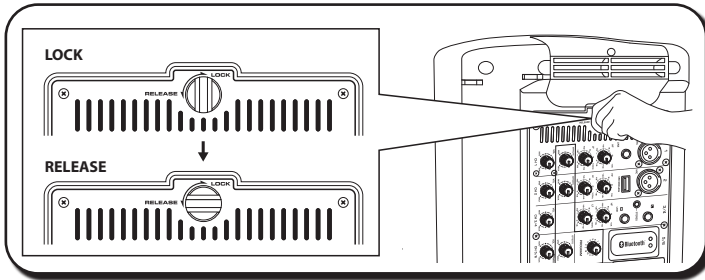
Merkmale



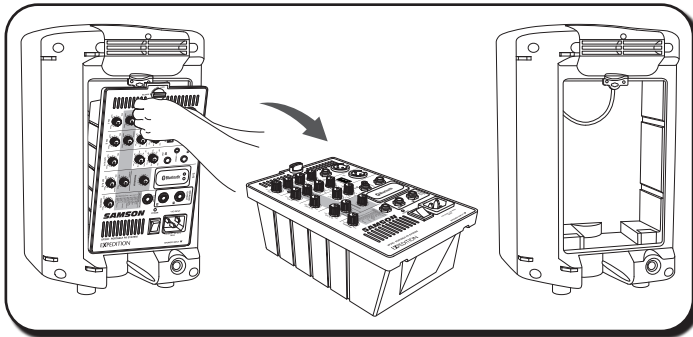
- Kompaktes Stereo-Beschallungssystem mit integriertem Mischpult und 300-Watt-Leistungsverstärker in einem Komplettgehäuse.
- Belüftete 2-Wege-Lautsprechergehäuse mit 6-Zoll-Tieftönern und 1-Zoll-Hochfrequenztreibern.
- Interner, leichter Leistungsverstärker mit 2 x 150 Watt (Class D).
- Abnehmbares Sechskanal-Mischpult mit zwei Mikrofoneingängen, USB-Wireless-Mikrofoneingang, Stereo-Line-Eingangskanal und *Bluetooth*®.
- Bass- und Höhenregler auf den ersten drei Eingangskanälen.
- USB-Buchse zum Anschluss eines Samson XPD Wireless-Mikrofonempfängers.
- Sechzehn 24-Bit-Digitaleffekte.
- Die *Bluetooth*®-Konnektivität ermöglicht es, drahtlos Audio von einem Smartphone, Tablet oder Computer zu streamen.
- Der Sub-Ausgang ermöglicht den Anschluss eines aktiven Subwoofers zur Erweiterung des Systems.
- Inklusive 2 Lautsprecherkabeln (3 m).

Erste Schritte

1. Entfernen Sie das Mischpult, indem Sie die Vierteldreh-Schnellverschlusschraube gegen den Uhrzeigersinn in Richtung der Position RELEASE drehen.

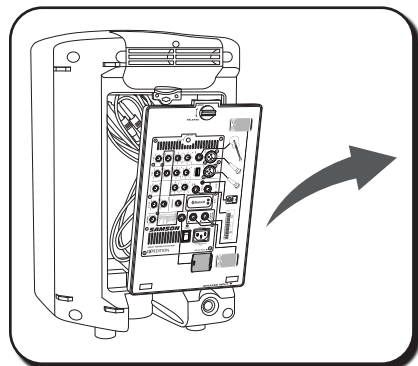


2. Halten Sie das Mischpult vorsichtig fest, um es aus dem Lautsprecher zu entfernen.



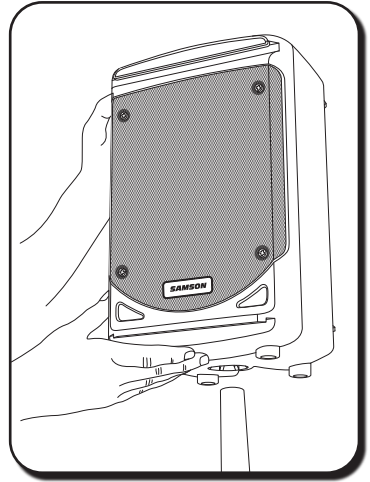
3. Entfernen Sie die Abdeckung des Zubehörfachs, indem Sie die Vierteldreh-Schnellverschlusschraube gegen den Uhrzeigersinn in Richtung der Position RELEASE drehen und die mitgelieferten AC- und Lautsprecherkabel entfernen.

4. Setzen Sie die Zubehörplatte wieder auf, indem Sie die Unterseite der Platte mit den Schlitzen ausrichten. Vergewissern Sie sich, dass sich die Vierteldreh-Schnellverschlusschraube in der Position RELEASE befindet. Schließen Sie dann die Zubehörplatte, und drehen Sie die Vierteldreh-Schnellverschlusschraube im Uhrzeigersinn auf LOCK.

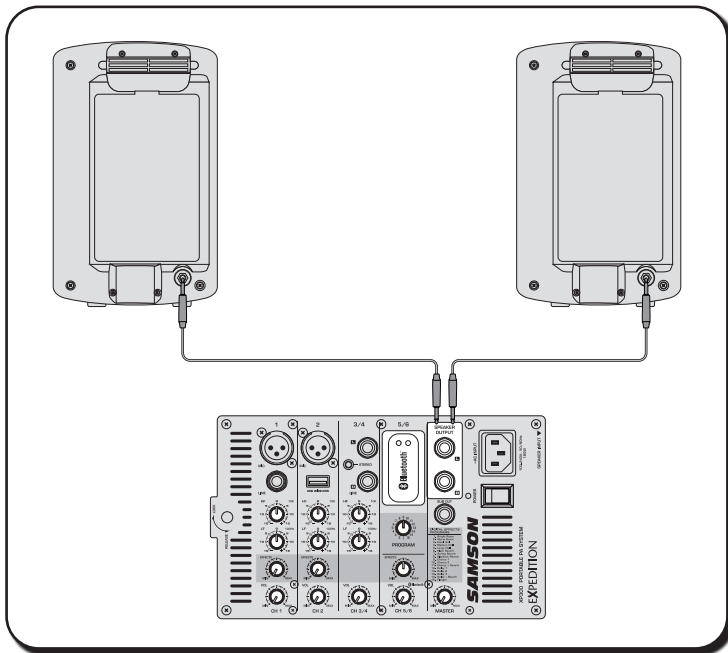


Erste Schritte

5. Stellen Sie die Lautsprecher auf dem Boden oder auf Standard-Lautsprecherständern auf.

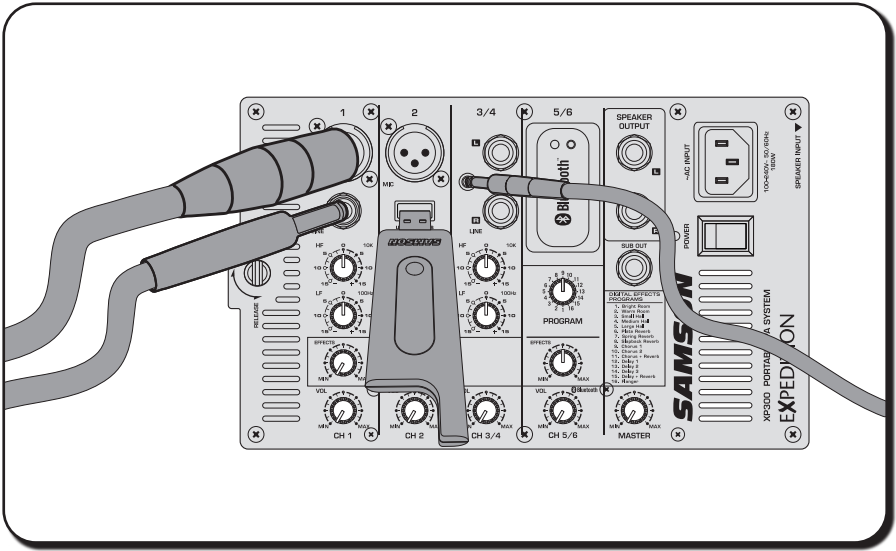


6. Schließen Sie den linken Lautsprecherausgang des Mischpults mit einem der mitgelieferten Lautsprecherkabel an den Eingangsanschluss des linken Lautsprechers an. Verwenden Sie anschließend das zweite mitgelieferte Lautsprecherkabel, um den rechten Lautsprecherausgang mit dem Eingangsanschluss des rechten Lautsprechers zu verbinden.

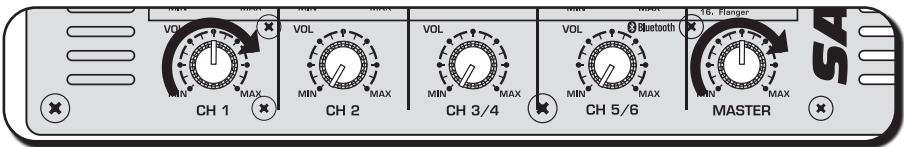


Schnellstart

1. Stellen Sie sicher, dass sich der Netzschalter des XP300 in der Position OFF befindet.
2. Drehen Sie jeden der Kanal-Lautstärkeregler LEVEL und MASTER vollständig gegen den Uhrzeigersinn auf die Position „0“.
3. Schließen Sie anschließend ein Ende des mitgelieferten Netzkabels an den Stromanschluss des XP300-Mischpults und das andere Ende an eine geerdete Steckdose an.
4. Schließen Sie Mikrofone mit handelsüblichen XLR-Kabeln, Instrumente mit 1/4-Zoll-Telefonkabeln und MP3-Player mit 1/8-Zoll-Kabeln an den entsprechenden Buchsen am Mischpult an.
5. Wenn Sie ein Samson XPD Wireless-Mikrofonsystem verwenden, schließen Sie den Empfänger an die Buchse CH 2 USB an.
6. Schalten Sie zuerst alle am XP300 angeschlossenen Geräte ein, und schalten Sie dann den Netzschalter des XP300 in die Position ON.



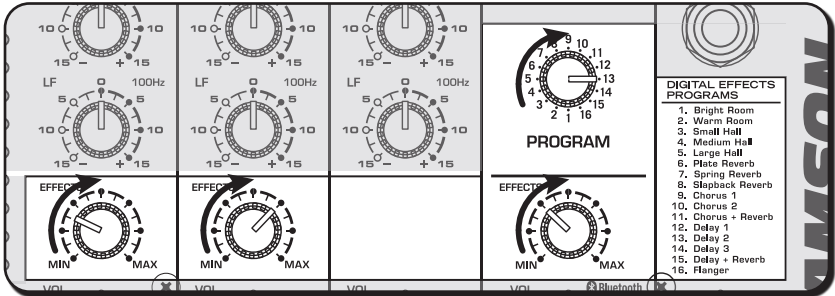
7. Drehen Sie den MASTER-Pegelregler etwa zur Hälfte auf.
8. Beginnen Sie mit dem Sprechen oder Spielen auf Kanal 1, während Sie den LEVEL-Regler langsam anpassen, bis Sie den gewünschten Pegel erreicht haben. Führen Sie dieselben Schritte für jeden Kanal aus, den Sie verwenden.
9. Wenn Sie feststellen, dass die LIMITER-Anzeige konstant leuchtet, drehen Sie die MASTER-Lautstärke herunter, sodass die Anzeige nur gelegentlich bei lauten Geräuschen aufleuchtet.



Schnellstart

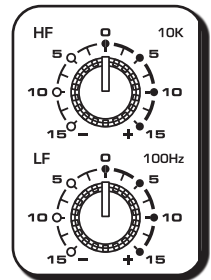
Um dem Mix Tiefe zu verleihen oder Gesang zu glätten, können Sie Effekte wie Reverb (Hall) auf die ersten beiden Kanäle anwenden. Gehen Sie dazu folgendermaßen vor:

10. Verwenden Sie den PROGRAM-Wahlschalter, um einen der 16 integrierten digitalen Effekte auszuwählen.
11. Erhöhen Sie die EFFECTS-Pegelregler für die Kanäle, denen Sie den Effekt hinzufügen möchten.
12. Drehen Sie den Effekt-SEND-Regler langsam nach oben, bis der gewünschte Sound erreicht ist.



Die XP300-Eingangskanäle verfügen über einen 2-Band-Equalizer, mit dem Sie die Klangcharakteristik des Signals einstellen können. Sie können die Bass- und Höhenfrequenzen für jeden Kanal unabhängig voneinander einstellen. Der Frequenzgang des Kanals ist flach, wenn sich die Regler in der 12-Uhr-Position befinden.

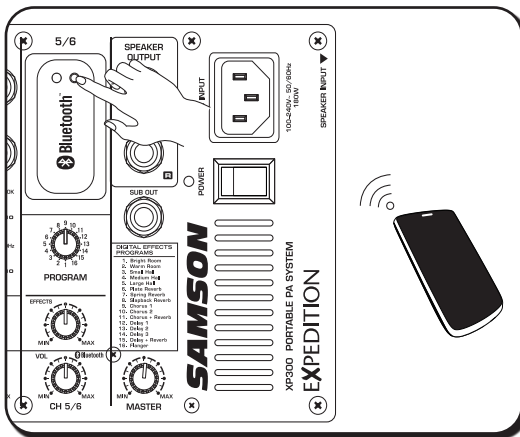
13. Wenn der Sound zu verwaschen klingt, sollten Sie den NF-Regler (Niederfrequenz) reduzieren.
14. Wenn der Sound dumpf klingt, können Sie den HF-Regler (Hochfrequenz) erhöhen. Es gibt keine festen Vorschriften für die Regelung des Klangs mit dem Equalizer. Sie sollten sich anhören, wie der Mix im Raum klingt, und den Sound entsprechend Ihren Wünschen anpassen.



Kopplung mit einem Bluetooth®-Gerät

Bluetooth® ist eine drahtlose Kommunikationstechnologie, die eine Verbindung zwischen einer Vielzahl von Geräten ermöglicht. Damit Ihr Gerät mit dem Beschallungssystem XP300 verwendet werden kann, muss es zunächst gekoppelt werden.

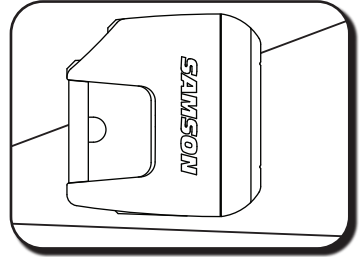
1. Drehen Sie alle Kanal-LEVEL-Regler gegen den Uhrzeigersinn auf **0**.
2. Schalten Sie das XP300 und das *Bluetooth*-Gerät ein, und halten Sie die PAIR-Taste auf der Vorderseite des XP300-Mischpults gedrückt, damit der Lautsprecher erkannt werden kann. Die *Bluetooth*-Anzeige blinkt langsam blau.
3. Stellen Sie die Einstellungen Ihres *Bluetooth*-Geräts so ein, dass verfügbare Geräte „erkannt“ werden.
4. Wählen Sie in der Liste der *Bluetooth*-Geräte das Gerät „Samson XP300“ aus.
5. Wenn Ihr Gerät einen Hauptschlüssel anfordert, geben Sie die Ziffern 0000 (vier Nullen) ein, und drücken Sie OK. Einige Geräte fordern auch dazu auf, die Verbindung zu akzeptieren.
6. Wenn das XP300 eine Verbindung zu Ihrem Gerät herstellt, blinkt die *Bluetooth*-Anzeige schnell blau.
7. Der XP300-Lautsprecher zeigt an, dass die Kopplung abgeschlossen ist, wenn die Anzeige konstant blau leuchtet. Sie können nun Audio von Ihrem Gerät auf die XP300-Lautsprecher streamen.
8. Drehen Sie den Lautstärkereger Ihres *Bluetooth*-Geräts auf, und spielen Sie Musik ab. Drehen Sie nun langsam den LEVEL-Regler für XP300 BLUETOOTH Kanal 5/6 auf, bis Sie den gewünschten Pegel erreicht haben.



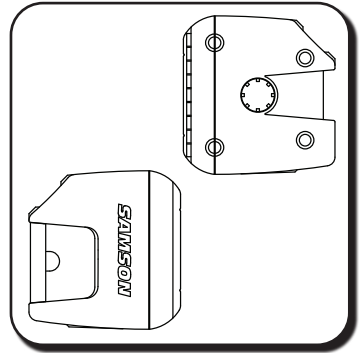
Konfiguration des Beschallungssystems XP300 für den Transport

Die XP300 Slide-and-Lock-Funktion erleichtert den Transport des Soundsystems. Die Slide-and-Lock-Lautsprechergehäuse ermöglichen es Ihnen, beide Lautsprecher zu einer einzigen, leicht zu tragenden Einheit zusammenzuschließen. Führen Sie diese Schritte aus, um das XP300 für den Transport zu konfigurieren.

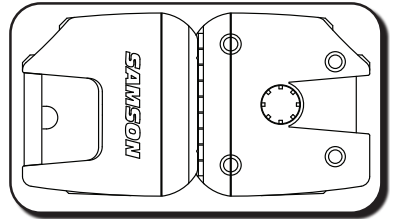
1. Stellen Sie einen Lautsprecher auf den Boden und kippen Sie ihn um, sodass er auf der Seite liegt.



2. Positionieren Sie den zweiten Lautsprecher über dem ersten Lautsprecher und richten Sie die „Slide-and-Lock“-Schienen und -Rillen parallel zum Lautsprecher auf dem Boden aus. Die Lautsprecherboxen müssen so nebeneinander liegen, dass die Oberseite eines Lautsprechers mit der Unterseite des anderen Lautsprechers ausgerichtet ist.

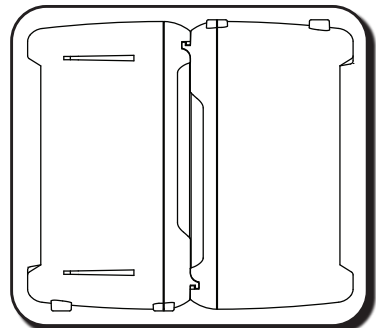


3. Schieben Sie den zweiten Lautsprecher in den Lautsprecher auf dem Boden, und achten Sie darauf, dass die beiden Lautsprecher dabei parallel zueinander ausgerichtet sind.

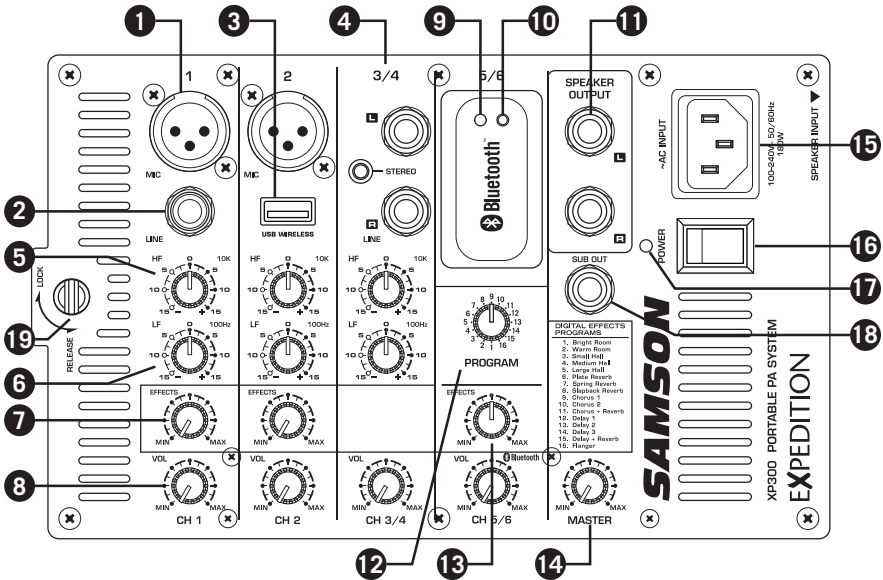


4. Sie spüren ein leichtes Klicken, wenn die beiden Lautsprecher miteinander verbunden sind.

5. Das XP300 kann nun leicht als eine Einheit getragen oder transportiert werden.



XP300 – Bedienelemente



- XLR-Mikrofoneingangsbuchsen (Kanäle 1-2)** – Verwenden Sie diese XLR-Buchsen, um niederohmige Mikrofone oder Niederpegelsignale von Direktboxen an die integrierten Mikrofonvorverstärker anzuschließen.
- 1/4-Zoll-Line-Eingangsanschluss (Kanal 1)** – Verwenden Sie diese 1/4-Zoll-Buchse, um Instrumente oder Audioquellen mit Linepegel-Signalen zu verbinden.
- USB WIRELESS-Eingang** – Schließen Sie den optionalen digitalen, kabellosen USB-Empfänger Samson XPD an diesen Eingang an. Der drahtlose Empfänger wird vom XP300 mit Strom versorgt, sodass keine zusätzliche Stromversorgung erforderlich ist. Der Eingang wird an die CH 2 VOL-Steuerung weitergeleitet.
Hinweis: Der USB-Anschluss ist nur für den Samson XPD-Empfänger vorgesehen. Der Anschluss ist nicht zum Laden von Smartphones, Tablets oder ähnlichen Geräten geeignet.
- Stereoeingangskanal 3/4** – Verwenden Sie die linken (L) und rechten (R) 1/4-Zoll-Eingänge oder den Stereoeingang (1/8 Zoll/3,5 mm), um Stereo-Linepegel-Geräte anzuschließen.
- Hochfrequenz (HF)** – Der HF-Regler steuert die Höhen für jeden Kanal. Der hohe Frequenzgang des Kanals ist flach, wenn sich der Regler in der 12-Uhr- oder „0“-Position befindet. Durch Drehen des Reglers nach rechts wird der hohe Frequenzgang des Kanals über 10 kHz bis auf 15 dB angehoben, und durch Drehen nach links wird der hohe Frequenzgang um bis zu 15 dB reduziert.
- Niedrigfrequenz (LF)** – Der LF-Regler steuert die Bässe für jeden Kanal. Der niedrige Frequenzgang des Kanals ist flach, wenn sich der Regler in der 12-Uhr- oder „0“-Position befindet. Durch Drehen des Reglers nach rechts wird der niedrige Frequenzgang des Kanals unter 100 Hz bis auf 15 dB angehoben, und durch Drehen nach links wird der hohe Frequenzgang um bis zu 15 dB reduziert.
- EFFECTS-Regler**– Verwenden Sie die EFFECTS-Regler, um einen der sechzehn Digitaleffekte zu den Eingangskanälen 1 oder 2 hinzuzufügen. Wenn der Regler im Uhrzeigersinn gedreht wird, erhöht sich der Pegel des Signals, das an den Effekt-Bus gesendet wird.

XP300 – Bedienelemente

8. **VOL-Regler**– Mit diesen Reglern wird der Gesamtpegel für jeden Eingangskanal eingestellt.
HINWEIS: Um das Rauschen zu reduzieren, stellen Sie die VOLUME-Regler für alle nicht verwendeten Kanäle auf die minimale Einstellung.
9. **Kopplungsanzeige** – Zeigt den *Bluetooth*-Status des XP300 an.
10. **Kopplungstaste** – Halten Sie diese Taste gedrückt, um den erkenntnisfähigen Modus zu aktivieren und eine Kopplung mit einem *Bluetooth*-Audiogerät herzustellen.
11. **SPEAKER OUTPUT-Buchsen** – Das XP300 verfügt über zwei Anschlüsse für 1/4-Zoll-Klinkenstecker, die als aktive Ausgänge zum Anschluss des linken und rechten Lautsprechers verwendet werden. Verwenden Sie die mitgelieferten Lautsprecherkabel, um die Lautsprecher anzuschließen.
VORSICHT: Die Gesamtimpedanzlast für jede Seite des Verstärkers darf nicht weniger als 8 Ohm betragen. Schließen Sie keine zusätzlichen Lautsprecher an das XP300-Mischpult an.
12. **Effektprogrammwahlschalter** – Mit diesem Drehknopf wählen Sie eines der 16 24-Bit-DSP-Effektprogramme.
13. **EFFECTS Senderegler** – Der EFFECTS-Senderegler dient dazu, die Gesamtzahl der Effekte einzustellen, die dem Master-Bus hinzugefügt werden.
14. **MASTER-Lautstärkeregler** – Der MASTER-Lautstärkeregler steuert den Gesamtausgangspegel. Die Signale aller sechs Kanäle werden hier zusammengeleitet, kurz bevor sie zu den eingebauten Endstufen und den linken und rechten Lautsprecherausgängen weitergeleitet werden.
15. **IEC-Eingang** – Schließen Sie hier das mitgelieferte 3-polige „IEC“-Netzkabel an.
16. **Netzschalter (POWER)** – Verwenden Sie den Netzschalter, um das XP300 ein- oder auszuschalten.
17. **Leistung/Spitzen-Anzeige** – Diese LED leuchtet GRÜN, wenn der Hauptschalter eingeschaltet ist, und ROT, wenn sich der Verstärker in der Nähe des Clipping-Punktes befindet. Wenn die Leistung/Spitzen-Anzeige häufig leuchtet, drehen Sie den MASTER-Lautstärkeregler oder die Eingangskanal-Lautstärkeregler herunter, bis die Anzeige nicht mehr leuchtet oder nur noch gelegentlich bei Signalspitzen leuchtet.
18. **SUB OUT-Anschluss** – Dieser Fullrange-Ausgang wird verwendet, um den Hauptmix an einen externen aktiven Subwoofer zu senden. Das an diesem Anschluss anliegende Signal ist das Signal, das mit dem MASTER-Pegel gesteuert wird.
19. **Mischpultverschluss** – Drehen Sie diese Vierteldreh-Schnellverschlusschraube gegen den Uhrzeigersinn in die Position RELEASE, um das Mischpult von der Rückseite der Lautsprecherbox abzunehmen. Achten Sie beim Transport des XP300 darauf, dass sich die Verriegelung in der Position LOCK befindet.

Technische Daten

Verstärker		
RMS-Leistung	300 W bei 4 Ω (150 W pro Kanal)	
Frequenzgang	40 Hz bis 20 kHz	
Leistungsaufnahme	AC-Eingang 100 V~240 V 50/60 Hz 180 W	
Betriebstemperatur	-10 °C (14 °F) bis 35 °C (95 °F)	
Lautsprecher		
Niederfrequenz	6-Zoll-Basswandler	
Hochfrequenz	1-Zoll-Hochtöner	
Mischpult		
Eingänge	XLR, 1/4 Zoll, 3,5 mm Stereo, USB Wireless	
Ausgänge	1/4-Zoll-Sub-Ausgang, 1/4-Zoll-Lautsprecherausgang	
Phantomspannung	+24 V DC, feste Phantomspannung	
Eingangskanal-EQ	Hoch	10 kHz Shelving \pm 15 dB
	Niedrig	100 Hz Shelving \pm 15 dB
Effekte	16 voreingestellte 24-Bit-DSPs	
Anzeigen	Zweifarbige LED – Leistung/Spitzen	
Bluetooth®	Bluetooth 3.0, A2DP	
Modulationstechnik	FHSS (GFSK, π /4-DQPSK, 8-DPSK)	
Abmessungen und Gewicht		
Systemabmessungen (LxBxH)	395 mm x 218 mm x 354 mm 15,6 Zoll x 8,6 Zoll x 14 Zoll	
Abmessungen der Lautsprecher (LxBxH)	218 mm x 208 mm x 352 mm 8,6 Zoll x 8,2 Zoll x 13,9 Zoll	
Gewicht	10,3 kg/ 22,6 lb	

Bei Samson verbessern wir unsere Produkte ständig. Daher können sich technische Daten und Bilder ohne Vorankündigung ändern.

ENGLISH

FRANÇAIS

DEUTSCHE

ESPAÑOL

ITALIANO

Información importante de seguridad



ATENCIÓN
RIESGO DE CHOQUE ELÉCTRICO
NO ABRIR



Este símbolo de relámpago con punta de flecha dentro de un triángulo equilátero tiene por objeto alertar al usuario de la presencia de "tensión peligrosa" no aislada dentro de la carcasa del producto que puede ser de magnitud suficiente para constituir un riesgo de descarga eléctrica.



El signo de exclamación dentro de un triángulo equilátero tiene por objeto alertar al usuario de la presencia de importantes instrucciones de funcionamiento y mantenimiento en la documentación que acompaña al aparato.



PRECAUCIÓN

Para evitar el riesgo de descarga eléctrica, no conecte la unidad a la red eléctrica mientras la rejilla esté desmontada.

ADVERTENCIA: PARA REDUCIR EL RIESGO DE DESCARGA ELÉCTRICA, NO RETIRE LA CUBIERTA (O LA PARTE POSTERIOR) YA QUE NO HAY PIEZAS QUE PUEDAN SER REPARADAS POR EL USUARIO EN SU INTERIOR. REFIERA LAS REPARACIONES A PERSONAL DE SERVICIO CALIFICADO.



Si desea desechar este producto, no lo mezcle con la basura doméstica general. Existe un sistema de recolección selectivo de los productos electrónicos usados, de acuerdo con la legislación que exige un tratamiento, una recuperación y un reciclaje adecuados.

Los hogares de los 28 Estados miembros de la UE, Suiza y Noruega pueden devolver gratuitamente sus productos electrónicos usados a centros de recolección designados o a un minorista (si compra uno nuevo similar).

Para los países no mencionados anteriormente, póngase en contacto con las autoridades locales para que le informen un método correcto de desechado.

De este modo, se asegurará de que su producto desechado se somete al tratamiento, recuperación y reciclaje necesarios y, de este modo, evitará posibles efectos negativos sobre el medioambiente y la salud humana.

La marca y los logotipos *Bluetooth®* son marcas registradas propiedad de Bluetooth SIG, Inc. y cualquier uso de dichas marcas por parte de Samson Technologies es bajo licencia. Otras marcas y nombres comerciales son de sus respectivos propietarios".

Información importante de seguridad

1. Lea estas instrucciones.
2. Conserve estas instrucciones.
3. Preste atención a todas las advertencias.
4. Siga todas las instrucciones.
5. No utilice este aparato cerca del agua.
6. Limpie solo con un paño seco.
7. No bloquee ninguna de las aberturas de ventilación. Instale de acuerdo con las instrucciones del fabricante.
8. No lo instale cerca de fuentes de calor como radiadores, registros de calor, estufas u otros aparatos (incluyendo amplificadores) que produzcan calor.
9. No anule el propósito de seguridad del enchufe polarizado o con conexión a tierra. Un enchufe polarizado tiene dos clavijas, una más ancha que la otra. Un enchufe con conexión a tierra tiene dos clavijas y una tercera clavija de conexión a tierra. La hoja ancha o la tercera punta se proporcionan para su seguridad. Si el enchufe suministrado no encaja en su toma de corriente, consulte a un electricista para reemplazar la toma de corriente obsoleta.
10. Proteja el cable de alimentación de ser pisado o pellizcado, particularmente en los enchufes, receptáculos de conveniencia y en el punto donde salen del aparato.
11. Utilice únicamente los aditamentos/accesorios especificados por el fabricante.
12. Utilice únicamente con el carro, soporte, trípode, soporte o mesa especificados por el fabricante, o vendidos con el aparato. Cuando utilice un carro, tenga cuidado al mover la combinación de carro/aparato para evitar lesiones por vuelco.
13. Desenchufe el aparato cuando lo ilumine, lo clasifique o cuando no lo utilice durante largos períodos de tiempo.
14. Todas las reparaciones deben ser realizadas por personal calificado. El servicio es necesario cuando el aparato ha sido dañado de alguna manera, como por ejemplo si el cable de alimentación o el enchufe están dañados, si se ha derramado líquido o si han caído objetos dentro del aparato, si ha estado expuesto a la lluvia o la humedad, si no funciona normalmente o si se ha caído.
15. Este aparato no debe estar expuesto a goteos o salpicaduras de agua y no debe colocarse ningún objeto lleno de líquido, como jarrones, sobre el aparato.
16. Precaución: para evitar descargas eléctricas, empareje el enchufe de cuchilla ancha con la ranura ancha y verifique que está completamente insertado.
17. Por favor, mantenga un buen ambiente de ventilación alrededor de toda la unidad.
18. INTERRUPTOR DE ENCENDIDO/APAGADO: Para los productos con interruptor de alimentación, el interruptor de alimentación NO interrumpe la conexión de la red eléctrica.
19. DESCONEXIÓN DE LA RED ELÉCTRICA: El enchufe debe permanecer en buen estado de funcionamiento. Para el montaje en bastidor o en una instalación en la que no se pueda acceder al enchufe, debe incorporarse a la instalación eléctrica del bastidor o del edificio un interruptor de red de todos los polos con una separación de los contactos de al menos 3 mm en cada polo.
20. Advertencia: El aparato debe conectarse a una toma de corriente con toma de tierra de protección.



ENGLISH

FRANÇAIS

DEUTSCHE

ESPAÑOL

ITALIANO

Información importante de seguridad

Aviso de la FCC

1. Este dispositivo cumple con la Parte 15 de las normas de la FCC. El funcionamiento está sujeto a las dos condiciones siguientes:
 - (1) Este dispositivo no puede causar interferencias perjudiciales.
 - (2) Este dispositivo debe aceptar cualquier interferencia recibida, incluyendo interferencias que puedan causar un funcionamiento no deseado.
2. Los cambios o modificaciones no aprobados expresamente por la parte responsable del cumplimiento podrían anular la autoridad del usuario para operar el equipo.

Declaración de la FCC

Este equipo ha sido probado y se ha determinado que cumple con los límites para un dispositivo digital de Clase B, de acuerdo con la Parte 15 de las normas de la FCC. Estos límites están diseñados para proporcionar una protección razonable contra interferencias perjudiciales en una instalación residencial.

Este equipo genera, utiliza y puede irradiar energía de radiofrecuencia y, si no se instala y utiliza de acuerdo con las instrucciones, puede causar interferencias perjudiciales en las comunicaciones de radio. Sin embargo, no hay garantía de que la interferencia no ocurrirá en una instalación en particular. Si este equipo causa interferencias perjudiciales en la recepción de radio o televisión, lo cual puede determinarse apagando y encendiendo el equipo, se recomienda al usuario que intente corregir la interferencia mediante una o más de las siguientes medidas:

- Reorientar o reubicar la antena receptora.
- Aumente la separación entre el equipo y el receptor.
- Conecte el equipo a una toma de corriente en un circuito diferente al del receptor.
- Consulte al distribuidor o a un técnico de radio/TV experimentado para obtener ayuda.

Declaración de exposición a la radiación de la FCC

Este equipo cumple con los límites de exposición a la radiación RF de la FCC establecidos para un entorno no controlado.

Declaración de advertencia de RF

El dispositivo ha sido evaluado para cumplir con los requisitos generales de exposición a RF. El dispositivo puede ser utilizado en condiciones de exposición portátiles sin restricciones.

Introducción

¡Felicitaciones por la compra del sistema PA portátil Expedition XP300 de Samson! El XP300 es un sistema de megafonía compacto, todo en uno, portátil, con un mezclador de seis canales y 300 vatios de potencia a bordo con dos altavoces de dos vías de 6", lo que lo convierte en la solución ideal para una variedad de aplicaciones de refuerzo de sonido de tamaño pequeño y mediano. El XP300 también es extremadamente portátil, gracias a su diseño ligero y único "Slide and Lock".

El mezclador de seis canales puede retirarse del altavoz para su uso sobre una mesa o puede montarse sobre un soporte utilizando el soporte del mezclador SMS150 de Samson. Cuenta con dos entradas XLR para conectar micrófonos, un canal para conectar una señal estéreo desde un reproductor MP3 u otro dispositivo electrónico. También tiene incorporado un procesador de efectos digitales de 24 bits para añadir efectos de calidad de estudio a tu voz o instrumentos. Para la reproducción de música, el XP300 cuenta con conectividad inalámbrica *Bluetooth*[®] para transmitir audio desde su teléfono inteligente, tableta u ordenador. El mezclador proporciona una salida robusta, con una potencia total de 300 vatios de la ligera sección de amplificadores de Clase D. El XP300 emplea un sistema de altavoces a juego con carcasas duales de 2 vías que tienen woofers de 6" y parlantes de alta frecuencia de 1" patentados. Para ayudar a proyectar el sonido a un público más amplio, los altavoces XP300 pueden montarse en soportes de altavoces estándar, gracias a los receptáculos integrales para montaje en poste. El XP300 está construido con plástico ABS duradero de alto impacto, lo que lo hace superresistente a la carretera y, al mismo tiempo, ligero.

Le recomendamos que guarde los siguientes registros como referencia, así como una copia de su recibo de venta.

Número de serie: _____

Fecha de compra: _____

Si tiene alguna pregunta o comentario sobre el XP300 o cualquier otro producto de Samson, no dude en ponerse en contacto con nosotros en support@samsontech.com.

Con el cuidado y mantenimiento adecuados, su XP300 funcionará sin problemas durante muchos años. Si su XP300 necesita servicio, debe obtener un número de Autorización de Devolución (RA) antes de enviar su unidad a Samson. Sin este número, la unidad no será aceptada. Por favor visite www.samsontech.com/ra para obtener un número RA antes de enviar su unidad. Por favor, conserve los materiales de embalaje originales y, si es posible, devuelva la unidad en su caja original. Si su sistema PA portátil XP300 se adquirió fuera de los Estados Unidos, póngase en contacto con su distribuidor local.

ENGLISH

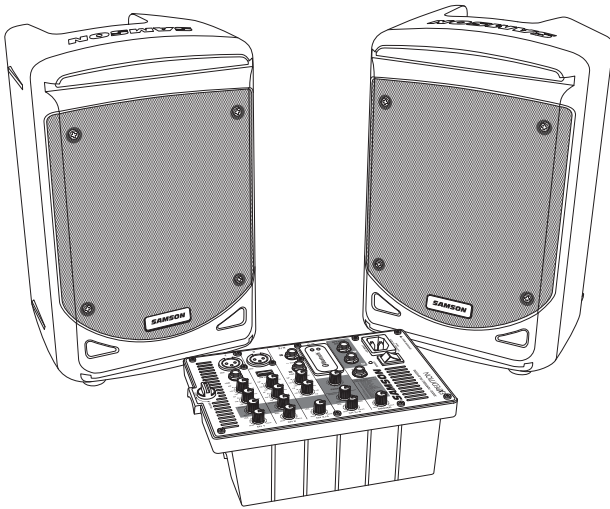
FRANÇAIS

DEUTSCHE

ESPAÑOL

ITALIANO

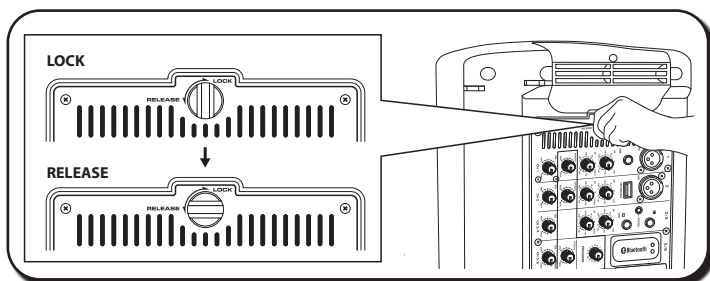
Características



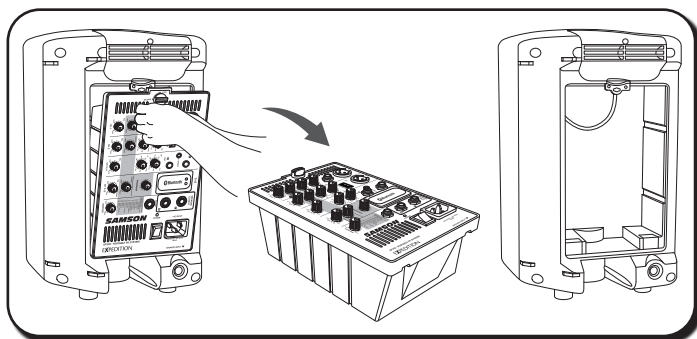
- Sistema de megafonía estéreo compacto con mezclador incorporado y amplificador de potencia de 300 vatios en una sola caja.
- Carcasas de altavoces con ventilación de 2 vías con woofers de 6" y parlantes de alta frecuencia de 1".
- Amplificador de potencia interno de clase D de 2 x 150 vatios.
- Mezclador de seis canales extraíble con dos entradas de micrófono, entrada de micrófono inalámbrica USB, canal de entrada de línea estéreo y *Bluetooth®*.
- Controles de graves y agudos en los tres primeros canales de entrada.
- Conector USB para conectar un receptor de micrófono inalámbrico Samson XPD.
- Efectos digitales de 16, 24 bits.
- La conectividad *Bluetooth®* le permite transmitir audio inalámbrico desde su smartphone, tableta u ordenador.
- La salida de subwoofer permite conectar un subwoofer activo para ampliar el sistema.
- Incluye 2 cables de altavoz de 10'.

Cómo empezar

1. Retire el mezclador girando el tornillo de un cuarto de vuelta en sentido contrario a las agujas del reloj hacia la posición RELEASE.

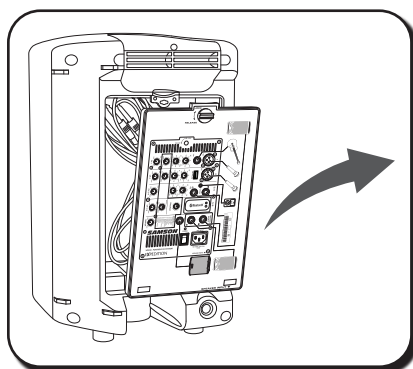


2. Sostenga con cuidado el mezclador para quitarlo del altavoz.



3. Retire la tapa del compartimento de accesorios girando el tornillo de un cuarto de vuelta en sentido contrario a las agujas del reloj hacia la posición RELEASE, y retire los cables de CA y de altavoz incluidos.

4. Reemplace el panel accesorio alineando la parte inferior del panel con las ranuras. Asegúrese de que el tornillo de un cuarto de vuelta esté en la posición RELEASE; luego cierre el panel y gire el tornillo de un cuarto de vuelta en el sentido de las agujas del reloj hasta LOCK.



ENGLISH

FRANÇAIS

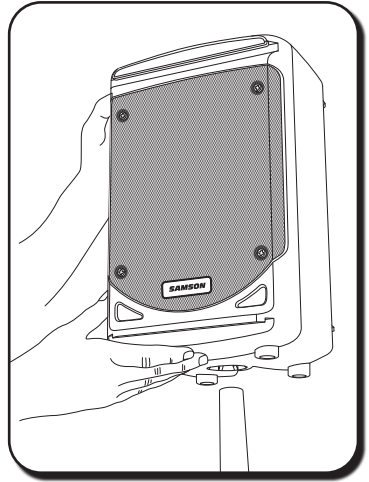
DEUTSCHE

ESPAÑOL

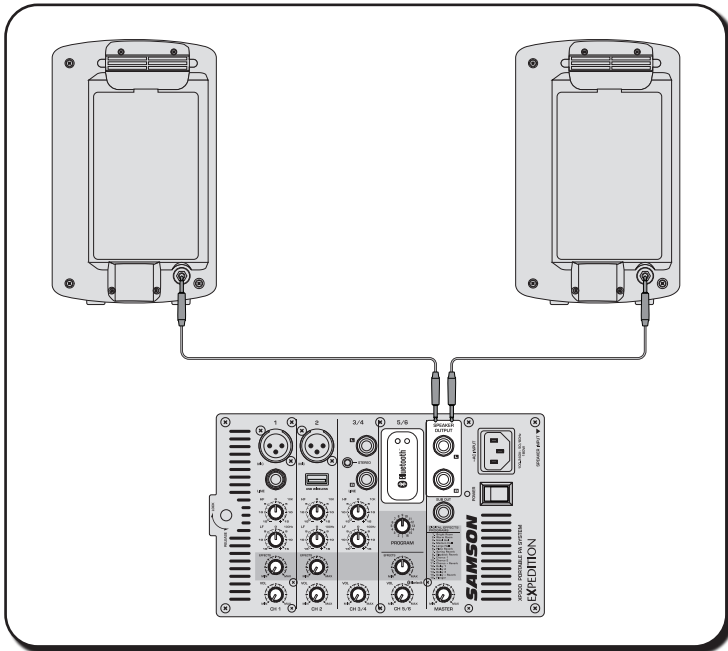
ITALIANO

Cómo empezar

- Coloque los altavoces en el suelo o en soportes de altavoces estándar.

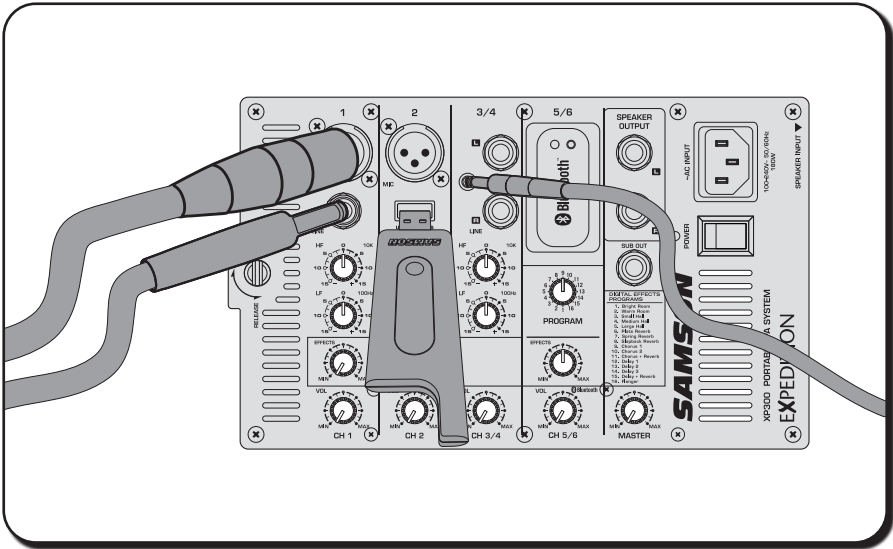


- Utilizando uno de los cables de altavoz incluidos, conecte la salida LEFT SPEAKER OUT del mezclador al conector de entrada del altavoz izquierdo. A continuación, utilice el segundo cable de altavoz incluido para conectar la salida RIGHT SPEAKER OUT al conector de entrada del altavoz derecho.

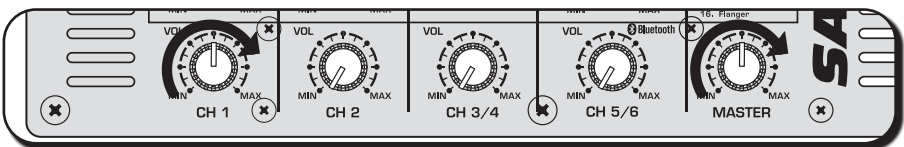


Inicio rápido

1. Asegúrese de que el interruptor POWER del XP300 esté en la posición OFF.
2. Gire cada uno de los controles de volumen de los canales LEVEL y MASTER completamente en sentido contrario a las agujas del reloj, hasta la posición "0".
3. Luego, conecte un lado del cable de alimentación incluido a la entrada de alimentación del mezclador XP300 y el otro a un tomacorriente de CA conectado a tierra.
4. Conecte sus micrófonos usando cables XLR estándar, instrumentos usando cables de teléfono de 1/4", y un reproductor de MP3 usando un cable de 1/8", en los conectores apropiados en el mezclador.
5. Si utiliza un sistema de micrófono inalámbrico Samson XPD, conecte el receptor en la toma USB CH 2.
6. Encienda primero todos los equipos conectados al XP300, luego ponga el interruptor POWER del XP300 en la posición ON.



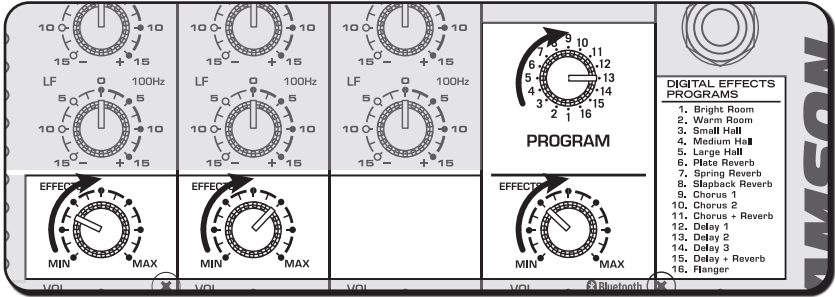
7. Gire el control de nivel MASTER aproximadamente a la mitad de su recorrido.
8. Comience a hablar o a tocar en el canal 1 mientras ajusta lentamente el control LEVEL hasta que haya alcanzado el nivel deseado. Haga lo mismo para cada canal que esté utilizando.
9. Si nota que el indicador LIMITADOR se ilumina constantemente, baje el volumen del MASTER para que el indicador solo se ilumine ocasionalmente durante golpes fuertes.



Inicio rápido

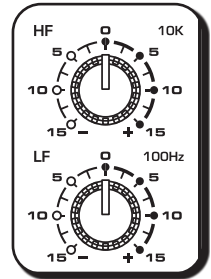
Para añadir profundidad a la mezcla o suavizar las voces, puede aplicar efectos como reverberación a los dos primeros canales. Para hacer esto:

10. Utilice el selector PROGRAM para elegir uno de los 16 efectos digitales incorporados.
11. Suba los controles de nivel de EFECTOS en los canales a los que desea añadir el efecto.
12. Gire lentamente hacia arriba la perilla SEND de los efectos hasta que se alcance el sonido deseado.



Los canales de entrada del XP300 cuentan con un ecualizador de 2 bandas que le permite ajustar la característica tonal de la señal. Puede ajustar independientemente las frecuencias graves y agudas de cada canal. La respuesta de frecuencia del canal es plana cuando las perillas están en la posición de las 12 en punto.

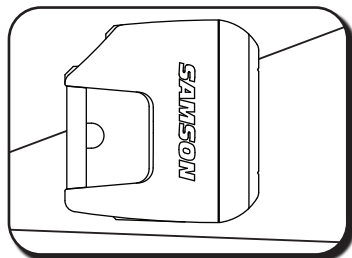
13. Si el audio le parece demasiado fangoso, es posible que desee reducir el control LF (baja frecuencia).
14. Si encuentra que el audio suena apagado, puede aumentar el control de HF (alta frecuencia). No hay una manera correcta o incorrecta de ecualizar un sonido. Usted debe escuchar cómo suena la mezcla en la habitación y afinarla a su gusto.



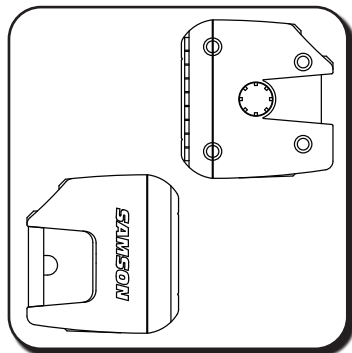
Configuración del XP300 para el transporte

Usted puede llevar fácilmente su sistema de sonido usando la función de deslizamiento y bloqueo XP300. Las carcasas de los altavoces Slide and Lock le permiten conectar ambos altavoces en una sola unidad fácil de transportar. Siga estos pasos para configurar el XP300 para el transporte.

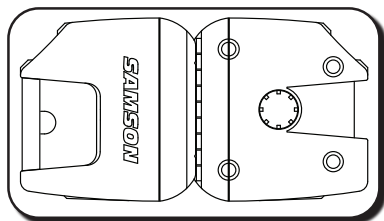
1. Coloque un altavoz en el suelo y colóquelo de lado.



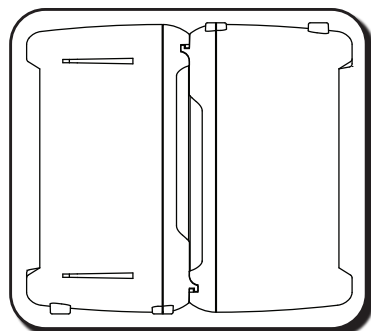
2. Coloque el segundo altavoz encima del primero y alinee las pistas y ranuras "Slide and Lock" de forma que queden paralelas al altavoz del suelo. Los gabinetes de los altavoces deben estar invertidos con respecto a la parte superior e inferior.



3. Deslice el segundo altavoz en el altavoz del piso y asegúrese de que los dos altavoces permanezcan paralelos el uno al otro.

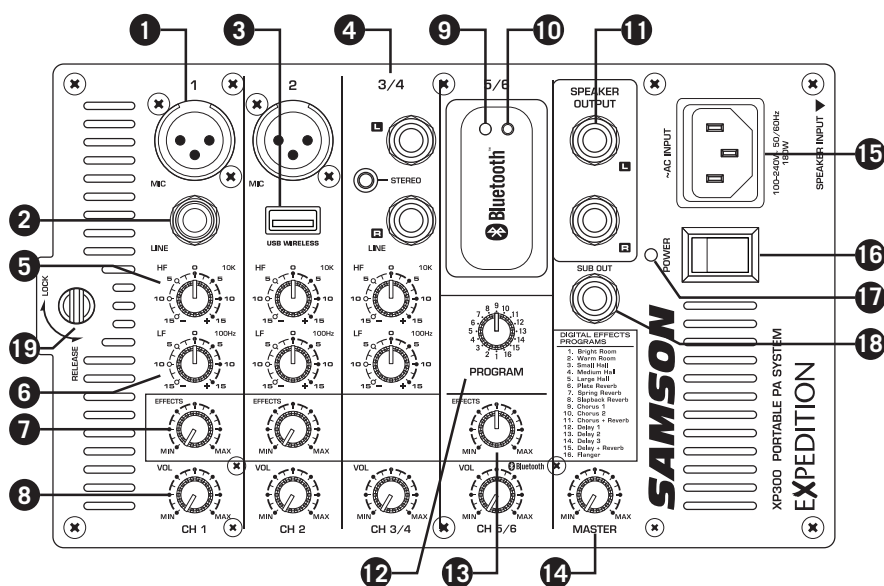


4. Sentirá un ligero chasquido cuando los dos altavoces estén en su sitio.



5. El XP300 ahora puede ser cargado o transportado como una sola unidad.

Disposición del mezclador XP300



- Conectores de entrada de micrófono XLR (Canales 1-2)** - Utilice estos conectores XLR para conectar micrófonos de baja impedancia, o señales de bajo nivel de cajas directas, a los preamplificadores de micrófono incorporados.
- Conector de entrada de línea de 1/4" (Canal 1)** - Use este conector de 1/4" para conectar instrumentos o fuentes de audio con señales de nivel de línea.
- Entrada inalámbrica USB** - Conecte el receptor USB inalámbrico digital Samson XPD opcional a esta entrada. El receptor inalámbrico recibe su energía del XP300, por lo que no se necesita una fuente de alimentación adicional. La entrada se dirige al control CH 2 VOL.
Nota: El conector USB es solo para el receptor Samson XPD. El conector no está diseñado para cargar teléfonos inteligentes, tabletas o dispositivos similares.
- Entrada estéreo Canal 3/4** - Utilice las entradas izquierda (L) y derecha (R) de 1/4" o la entrada estéreo de 1/8" (3,5 mm) para conectar dispositivos de nivel de línea estéreo.
- Alta Frecuencia (HF)** - La perilla HF controla la cantidad de agudos aplicados a cada canal. La respuesta de frecuencia del canal es plana cuando las perillas están en la posición de las 12 en punto. Girando el mando hacia la derecha se potenciará la respuesta de alta frecuencia del canal por encima de 10 kHz hasta 15 dB y si lo gira hacia la izquierda se reducirá la respuesta de alta frecuencia hasta 15 dB.
- Alta Frecuencia (HF)** - La perilla HF controla la cantidad de agudos aplicados a cada canal. La respuesta de frecuencia del canal es plana cuando las perillas están en la posición de las 12 en punto. Girando el mando hacia la derecha se potenciará la respuesta de alta frecuencia del canal por encima de 100 Hz hasta 15 dB y si lo gira hacia la izquierda se reducirá la respuesta de alta frecuencia hasta 15 dB.
- Perillas EFFECTS** - Utilice las perillas de control EFFECTS para añadir uno de los dieciséis efectos digitales a los canales de entrada del canal 1 o 2. Al girar el mando en el sentido de las agujas del reloj, aumenta el nivel de la señal enviada al bus de efectos.

Disposición del mezclador XP300

8. **Perillas de control VOL** - Estas perillas ajustan el nivel general para cada canal de entrada.
NOTA: Para reducir el ruido, ajuste los controles VOLUME de los canales no utilizados al mínimo.
9. **Indicador de emparejamiento** – Muestra el estado de *Bluetooth* del XP300.
10. **Botón de emparejamiento** – Mantenga pulsado este botón para habilitar el modo detectable para emparejarse con un dispositivo de audio *Bluetooth*.
11. **Enchufes de salida de altavoz** - El XP300 tiene dos conectores de teléfono de 1/4", que son salidas alimentadas que se utilizan para conectar los altavoces izquierdo y derecho. Utilice los cables de altavoz incluidos para conectar los altavoces.
PRECAUCIÓN La carga total de impedancia para cada lado del amplificador no debe ser inferior a 8 ohmios. No conecte altavoces adicionales al mezclador XP300.
12. **Selector de efectos PROGRAM** - Esta perilla de control se utiliza para seleccionar uno de los programas de efectos DSP de 16, 24 bits.
13. **Perilla EFFECTS** - La perilla EFFECTS se utiliza para ajustar la cantidad total de efectos añadidos al bus maestro.
14. **Perilla de volumen MASTER** – La perilla MASTER VOLUME controla el nivel de salida total. Las señales de los seis canales son enviadas aquí justo antes de ser enviadas a los amplificadores de potencia incorporados y a los conectores de salida de altavoz izquierdo y derecho.
15. **Entrada IEC** - Conecte aquí el cable de alimentación "IEC" de 3 clavijas de calibre grueso suministrado.
16. **Interruptor POWER** - Use el interruptor POWER para encender o apagar el XP300.
17. **Indicador de potencia/pico** - Este LED se iluminará en VERDE cuando se enciende el interruptor de alimentación PRINCIPAL, y en ROJO cuando el amplificador está cerca del punto de recorte. Si el indicador Peak se ilumina con frecuencia, baje el volumen del control MASTER o baje los controles VOL del canal de entrada, hasta que el indicador deje de iluminarse o se ilumine solo ocasionalmente con picos de señal.
18. **Conector SUB OUT** - Esta salida de rango completo se utiliza para enviar la mezcla principal a un subwoofer activo externo. La señal presente en este conector es la siguiente al control de nivel MASTER.
19. **Bloqueo del mezclador** - Gire este bloqueo de un cuarto de vuelta en sentido contrario a las agujas del reloj, a la posición RELEASE, para retirar el mezclador de la parte posterior de la caja acústica. Cuando transporte el XP300, asegúrese de que la cerradura esté en la posición LOCK.

Especificaciones

Amplificador		
Potencia RMS	300 W @ 4Ω (150 W por canal)	
Respuesta en frecuencia	40 Hz - 20 kHz	
Consumo de electricidad	Entrada de CA 100V~240V 50/60Hz 180W	
Temperatura de funcionamiento	14° F (-10° C) a 95° F (35° C)	
Altavoces		
Baja frecuencia	Transductor de bajos de 6"	
Alta frecuencia	Tweeter de 1"	
Mezclador		
Entradas	XLR, 1/4", 3.5mm estéreo, USB inalámbrico	
Salidas	1/4" Sub Out, 1/4" Salida de altavoz	
Alimentación fantasma	+24V DC, Tensión Fantasma Fija	
Ecuilizador de canal de entrada	Alto	10 kHz Shelving ±15 dB
	Baja	100 Hz Shelving ±15 dB
Efectos	16 DSP preestablecido de 24 bits	
Indicadores	LED de dos colores - Power/Peak	
Bluetooth®	Bluetooth 3.0, A2DP	
Técnica de modulación	FHSS (GFSK, p/4-DQPSK, 8-DPSK)	
Dimensiones y peso		
Dimensiones del sistema (LxAnxAI)	15,6" x 8,6" x 14". 395 mm x 218 mm x 354 mm	
Dimensiones del sistema (LxAnxAI)	8,6" x 8,2" x 13,9". 218 mm x 208 mm x 352 mm	
Peso	10,3 kg / 22,6 lb	

En Samson estamos continuamente mejorando nuestros productos, por lo tanto las especificaciones y las imágenes están sujetas a cambios sin previo aviso.

ENGLISH

FRANÇAIS

DEUTSCHE

ESPAÑOL

ITALIANO

Importanti informazioni di sicurezza



ATTENZIONE
RISCHIO DI SCOSSE ELETTRICHE -
NON APRIRE



Questo simbolo del lampo con la punta a freccia all'interno di un triangolo equilatero avverte l'utente della presenza di una "tensione pericolosa" non isolata all'interno del prodotto, che può essere di entità sufficiente a comportare un rischio di scossa elettrica.



Il punto esclamativo all'interno di un triangolo equilatero avverte l'utente della presenza di importanti istruzioni operative e di manutenzione nella documentazione che accompagna l'apparecchio.



ATTENZIONE

Per evitare il rischio di scosse elettriche, non collegare l'alimentazione di rete quando la griglia è stata rimossa.

ATTENZIONE: PER RIDURRE IL RISCHIO DI SCOSSE ELETTRICHE, NON RIMUOVERE IL COPERCHIO (O IL RETRO) IN QUANTO ALL'INTERNO NON VI SONO PARTI RIPARABILI DALL'UTENTE. RIVOLGERSI A PERSONALE DI ASSISTENZA QUALIFICATO.



Se si desidera smaltire questo prodotto, non mischiarlo con i rifiuti domestici generici. Esiste un sistema di raccolta differenziata per i prodotti elettronici usati, conforme alla normativa che richiede un trattamento, un recupero e un riciclaggio adeguati.

■ I nuclei familiari dei 28 Stati membri dell'UE, della Svizzera e della Norvegia possono restituire gratuitamente i loro prodotti elettronici usati a centri di raccolta designati o a un rivenditore (se viene acquistato un prodotto nuovo simile).

Per i Paesi non menzionati sopra, si prega di contattare le autorità locali per un corretto metodo di smaltimento.

In questo modo, si garantisce che il prodotto smaltito venga sottoposto al necessario trattamento, recupero e riciclaggio, evitando così potenziali effetti negativi sull'ambiente e sulla salute umana.

Il marchio denominato *Bluetooth®* e i loghi *Bluetooth®* sono marchi registrati di proprietà di Bluetooth SIG, Inc., e qualsiasi uso di tali marchi da parte di Samson Technologies è concesso in licenza. Altri marchi e nomi commerciali sono quelli dei rispettivi proprietari".

Importanti informazioni di sicurezza

1. Leggere queste istruzioni.
2. Conservare queste istruzioni.
3. Rispettare tutti gli avvertimenti.
4. Seguire tutte le istruzioni.
5. Non utilizzare l'apparecchio vicino all'acqua.
6. Pulire solo con un panno asciutto.
7. Non bloccare le aperture di ventilazione. Installare secondo le istruzioni del produttore.
8. Non installare vicino a fonti di calore come radiatori, registratori di calore, stufe o altri apparecchi (compresi gli amplificatori) che producono calore.
9. Non annullare la finalità di sicurezza della spina polarizzata o dotata di messa a terra. Una spina polarizzata presenta due lame, una più larga dell'altra. Una spina dotata di messa a terra presenta due lame e un terzo polo di messa a terra. La lama larga o il terzo polo sono forniti per la sicurezza dell'utente. Se la spina in dotazione non si adatta alla presa in dotazione, consultare un elettricista per la sostituzione della resa obsoleta.
10. Proteggere il cavo di alimentazione evitando di calpestarlo o schiacciarlo, in particolare in corrispondenza delle spine, delle prese e nel punto di uscita dall'apparecchio.
11. Utilizzare solo accessori/attacchi specificati dal produttore.
12. Utilizzare solo con il carrello, il supporto, il treppiede, la staffa o il tavolo specificati dal produttore, o venduti con l'apparecchio. Quando si utilizza un carrello, prestare attenzione quando si sposta la combinazione carrello/apparecchio per evitare lesioni da ribaltamento.
13. Scollegare l'apparecchio durante l'illuminazione, lo smistamento o quando non viene utilizzato per lunghi periodi di tempo.
14. Per tutti gli interventi di manutenzione, rivolgersi a personale qualificato. L'assistenza è necessaria quando l'apparecchio è stato danneggiato in qualsiasi modo, ad esempio, se il cavo di alimentazione o la spina sono stati danneggiati, se è stato versato del liquido o sono caduti oggetti all'interno dell'apparecchio, se l'apparecchio è stato esposto a pioggia o umidità, se non funziona normalmente o se è caduto.
15. L'apparecchio non deve essere esposto a gocce o schizzi d'acqua e non devono essere appoggiati su di esso oggetti riempiti di liquido, come i vasi.
16. Attenzione a prevenire le scosse elettriche, abbinare la fessura larga della spina a lama larga inserendola completamente.
17. Garantire un buon ambiente di ventilazione intorno all'intera unità.
18. **INTERRUTTORE DI ACCENSIONE/SPEGNIMENTO:** Per i prodotti con interruttore di alimentazione, l'interruttore di alimentazione NON interrompe il collegamento dalla rete elettrica.
19. **SCOLLEGAMENTO DELLA RETE ELETTRICA:** La spina dovrebbe rimanere facilmente utilizzabile. Per il montaggio su rack o per installazioni in cui la spina non sia accessibile, nell'impianto elettrico del rack o dell'edificio deve essere incorporato un interruttore di rete multipolare con una separazione dei contatti di almeno 3 mm per polo.
20. Attenzione: L'apparecchio dovrà essere collegato a una presa della RETE ELETTRICA con un collegamento protettivo di messa a terra.



Importanti informazioni di sicurezza

Avviso FCC

1. Questo dispositivo è conforme alla Parte 15 delle Norme FCC. Il funzionamento è soggetto alle due condizioni seguenti:
 - (1) Questo dispositivo non deve causare interferenze dannose.
 - (2) Questo dispositivo deve accettare qualsiasi interferenza ricevuta, comprese le interferenze che possono causare un funzionamento indesiderato.
2. Cambiamenti o modifiche non espressamente approvati dalla parte responsabile della conformità possono invalidare il diritto dell'utente a utilizzare l'apparecchiatura.

Dichiarazione FCC

Questa apparecchiatura è stata testata e trovata conforme ai limiti per un dispositivo digitale di Classe B, in conformità alla Parte 15 delle Norme FCC. Questi limiti sono progettati per fornire una ragionevole protezione contro le interferenze dannose in un'installazione residenziale.

Questa apparecchiatura genera, utilizza e può irradiare energia a radiofrequenza e, se non installata e utilizzata secondo le istruzioni, può causare interferenze dannose alle comunicazioni radio. Tuttavia, non vi è alcuna garanzia che l'interferenza non si verifichi in una particolare installazione. Se questa apparecchiatura causa interferenze dannose alla ricezione radio o televisiva, che possono essere determinate spegnendo e riaccendendo l'apparecchio, l'utente è incoraggiato a tentare di correggere l'interferenza con una o più delle seguenti misure:

- Riorientare o riposizionare l'antenna ricevente.
- Aumentare la distanza tra l'apparecchiatura e il ricevitore.
- Collegare l'apparecchio a una presa su un circuito diverso da quello a cui è collegato il ricevitore.
- Consultare il rivenditore o un tecnico radio/TV esperto per assistenza.

Dichiarazione di esposizione alle radiazioni FCC

Questa apparecchiatura è conforme ai limiti di esposizione alle radiazioni RF FCC stabiliti per un ambiente non controllato.

Dichiarazione di avvertimento RF

Il dispositivo è stato valutato per soddisfare i requisiti generali di esposizione alle radiofrequenze. Il dispositivo può essere utilizzato in condizioni di esposizione portatile senza restrizioni.

Introduzione

Congratulazioni per aver acquistato il Sistema PA portatile Expedition XP300 di Samson! L'XP300 è un sistema PA portatile compatto, tutto incluso, dotato di un mixer a sei canali e 300 watt di potenza integrata con doppi altoparlanti a 2 vie da 6", che lo rendono la soluzione ideale per una varietà di applicazioni di rinforzo del suono di piccole e medie dimensioni. L'XP300 è anche estremamente portatile, grazie al suo design leggero ed esclusivo "Slide and Lock".

Il mixer a sei canali può essere rimosso dall'altoparlante per l'uso su tavolo o può essere montato in piedi utilizzando il Supporto per mixer Samson SMS150. Dispone di due ingressi XLR per il collegamento di microfoni, e di un canale per il collegamento di un segnale stereo da un lettore MP3 o altro dispositivo elettronico. È anche disponibile un processore di effetti digitale a 24 bit integrato, per aggiungere effetti di qualità da studio alla voce o agli strumenti. Per la riproduzione musicale, l'XP300 è dotato di connettività wireless *Bluetooth*[®], per lo streaming audio dal tuo smartphone, tablet o computer. Il mixer fornisce un'uscita robusta, con una potenza totale di 300 watt dalla leggera sezione dell'amplificatore di Classe D. L'XP300 impiega un sistema di altoparlanti abbinato con doppi alloggiamenti a 2 vie, ed è dotato di woofer proprietari da 6" e di driver ad alta frequenza da 1". Per facilitare la proiezione del suono a un pubblico più vasto, gli altoparlanti XP300 possono essere montati su supporti standard, grazie alle prese integrate nell'elemento da palo. L'XP300 è costruito in resistente plastica ABS ad alto impatto, che lo rende super resistente alla strada e, allo stesso tempo, leggero.

Si consiglia di conservare i seguenti registri di riferimento, nonché una copia della ricevuta di vendita.

Numero di serie: _____

Data di acquisto: _____

Per rivolgere domande o inoltrare commenti sul Sistema PA portatile XP300 o su altri prodotti Samson, è possibile contattarci all'indirizzo e-mail support@samsontech.com.

Con la cura e la manutenzione adeguate, il Sistema PA portatile XP300 funzionerà senza problemi per molti anni. Se il Sistema PA portatile XP300 dovesse aver bisogno di manutenzione, prima di spedire l'unità a Samson, è necessario ottenere un numero di Autorizzazione alla restituzione (RA, Return Authorization). Senza tale numero, l'unità non sarà accettata. Si prega di visitare il sito web www.samsontech.com/ra per ottenere un numero RA prima della spedizione dell'unità. Conservare i materiali di imballaggio originali e, se possibile, restituire l'unità nella confezione originale. Se il Sistema PA portatile XP300 è stato acquistato al di fuori degli Stati Uniti, contattare il distributore locale.

ENGLISH

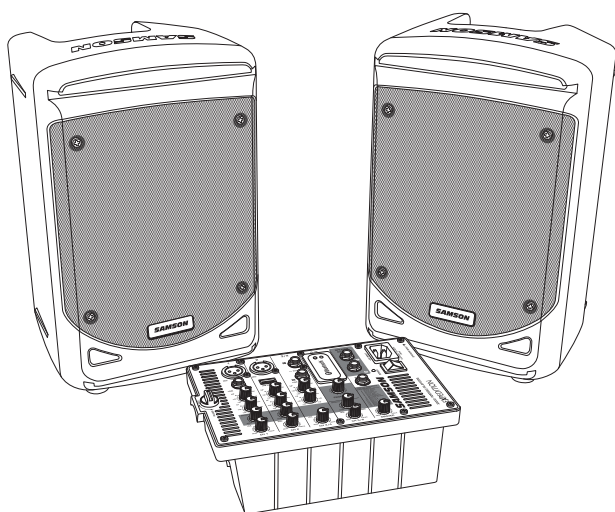
FRANÇAIS

DEUTSCHE

ESPAÑOL

ITALIANO

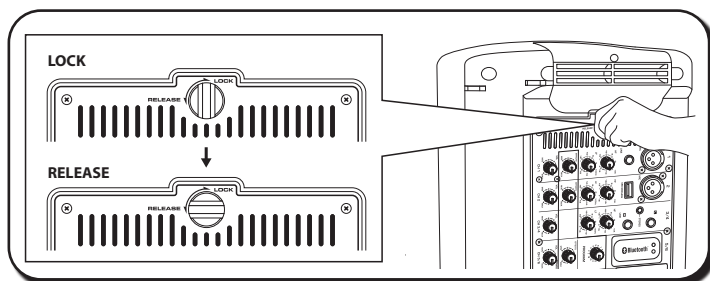
Caratteristiche



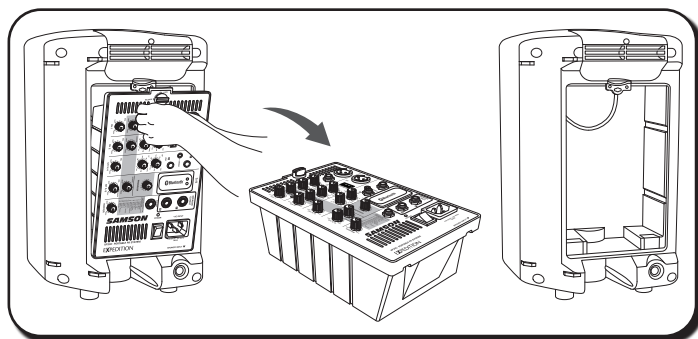
- Sistema PA stereo compatto con mixer integrato e amplificatore di potenza da 300 watt che si riunisce in un unico contenitore.
- Alloggiamenti per altoparlanti ventilati a 2 vie con woofer da 6" e driver per alte frequenze da 1".
- Amplificatore interno da 2 x 150 watt leggero di Classe D.
- Miscelatore a sei canali rimovibile con due ingressi del Microfono, ingresso del microfono Wireless USB, canale di Ingresso della linea stereo e *Bluetooth*®
- Controlli dei Bassi e degli Alti sui primi tre canali d'ingresso.
- Jack USB per il collegamento di un ricevitore del microfono Wireless Samson XPD.
- Sedici effetti digitali a 24 bit.
- La connettività *Bluetooth*® ti permette di trasmettere audio wireless dal tuo smartphone, tablet o computer.
- L'uscita Sub consente di collegare un subwoofer attivo per espandere il sistema.
- Include 2 cavi per altoparlanti da 10'.

Come iniziare

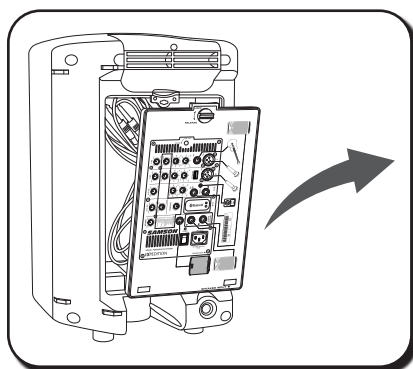
1. Rimuovere il miscelatore ruotando la vite di un quarto di giro in senso antiorario verso la posizione di RILASCIO.



2. Trattenere con cautela il miscelatore per rimuoverlo dall'altoparlante.

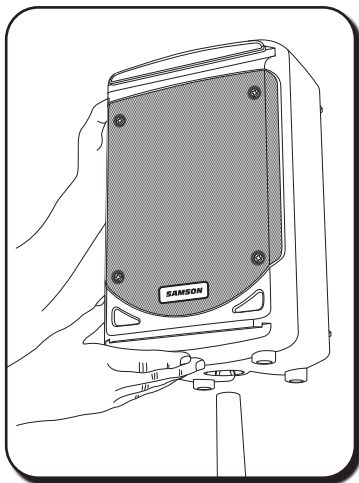


3. Rimuovere il coperchio del vano accessori ruotando la vite di un quarto di giro in senso antiorario verso la posizione di RILASCIO e rimuovere i cavi CA e degli altoparlanti inclusi.
4. Sostituire il pannello degli accessori allineando la parte inferiore del pannello con le fessure. Accertarsi che la vite di un quarto di giro sia in posizione di RILASCIO; quindi chiudere il pannello e ruotare la vite di un quarto di giro in senso orario in posizione di BLOCCO.

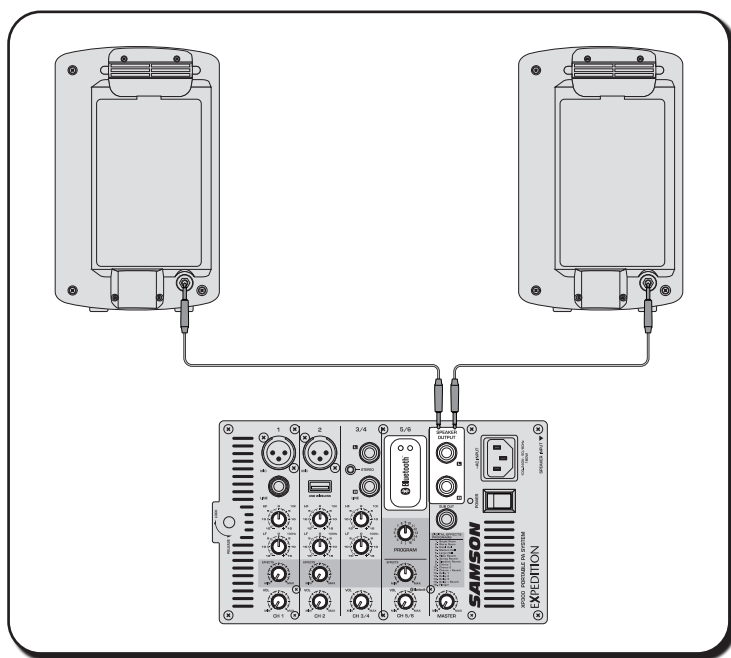


Come iniziare

5. Posizionare gli altoparlanti a terra o su supporti per altoparlanti standard.

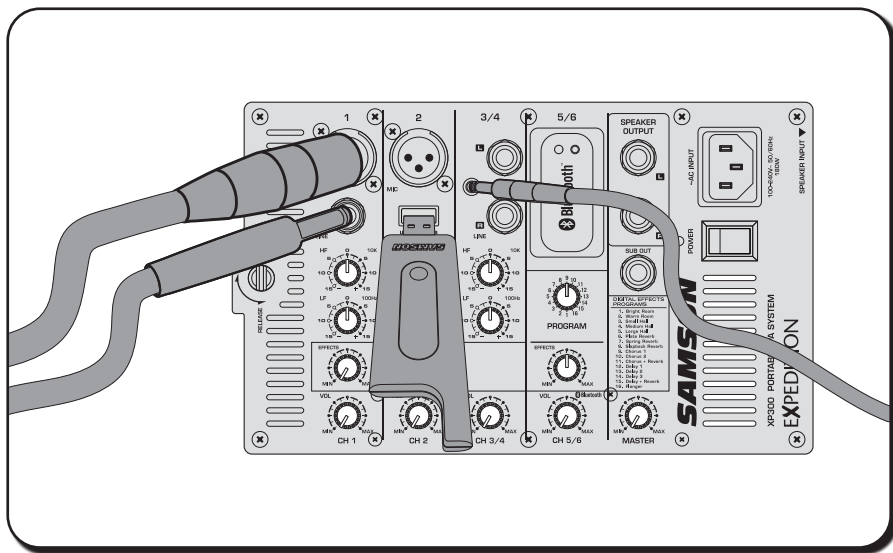


6. Utilizzando uno dei cavi per altoparlanti in dotazione, collegare l'USCITA DELL'ALTOPARLANTE SINISTRA del mixer al connettore di ingresso dell'altoparlante di sinistra. Quindi, utilizzare il secondo cavo per altoparlanti incluso per collegare l'USCITA DELL'ALTOPARLANTE DESTRA al connettore di ingresso dell'altoparlante di destra.

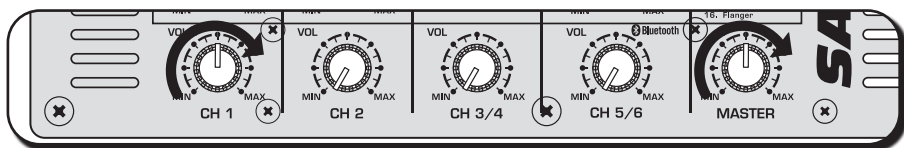


Avvio rapido

1. Assicurarsi che l'interruttore di ACCENSIONE dell'XP300 sia in posizione OFF.
2. Ruotare i comandi del volume del LIVELLO e MASTER di ciascun canale completamente in senso antiorario, fino alla posizione "0".
3. Quindi, collegare un lato del cavo di alimentazione incluso alla presa di alimentazione del mixer XP300 e l'altro a una presa di corrente CA con messa a terra.
4. Collegare i microfoni con cavi XLR standard, gli strumenti con cavi telefonici da 1/4" e il lettore MP3 con cavo da 1/8", negli appositi jack del mixer.
5. Se si utilizza un sistema a Microfono wireless Samson XPD, collegare il ricevitore al jack USB CH 2.
6. Accendere prima tutte le apparecchiature collegate all'XP300, quindi portare l'interruttore di ALIMENTAZIONE dell'XP300 sulla posizione ON.



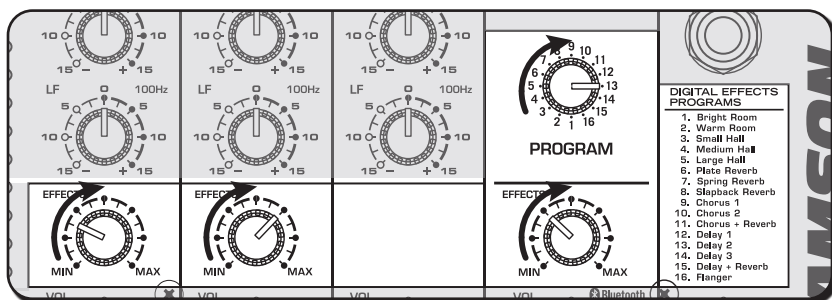
7. Ruotare il comando del livello MASTER di circa 1/2 giro interamente in alto.
8. Iniziare a parlare o a suonare nel canale 1, mentre si regola lentamente il comando LIVELLO, fino a raggiungere il livello desiderato. Seguire la stessa procedura per ogni canale che si sta usando.
9. Se si nota che l'indicatore del LIMITATORE si illumina costantemente, abbassare il volume MASTER in modo che l'indicatore si illumini solo occasionalmente durante i colpi forti.



Avvio rapido

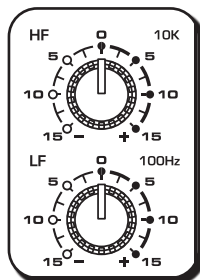
Per aggiungere profondità al mix o attenuare la voce, è possibile applicare effetti come il riverbero ai primi due canali. Per fare questo:

10. Usa il selettore del PROGRAMMA per scegliere uno dei 16 effetti digitali integrati.
11. Aumentare i comandi del livello degli EFFETTI del canale (o dei canali) a cui si desidera aggiungere l'effetto.
12. Girare lentamente verso l'alto la manopola INVIA, fino a raggiungere il suono desiderato.



I canali di ingresso dell'XP300 sono dotati di un equalizzatore a 2 bande che consente di regolare la caratteristica tonalità del segnale. È possibile regolare in modo indipendente le frequenze dei bassi e degli alti su ogni canale. La risposta in frequenza del canale è piatta quando le manopole sono in posizione centrale (ore 12).

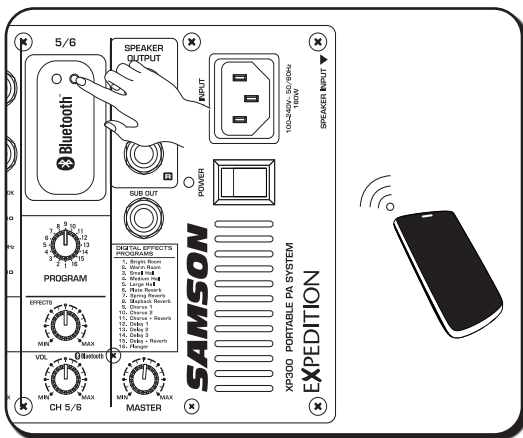
13. Se l'audio sembra troppo confuso, è possibile ridurre il comando LF (bassa frequenza).
14. Se si nota che l'audio ha un suono piatto, è possibile aumentare il comando HF (alta frequenza). Non esiste un modo giusto o sbagliato per equalizzare un suono. È opportuno ascoltare come suona il mix nella stanza e sintonizzarlo in base alle preferenze.



Accoppiamento con un dispositivo Bluetooth®

Il *Bluetooth*® è una tecnologia di comunicazione wireless che consente la connettività tra una vasta gamma di dispositivi. Affinché il dispositivo possa funzionare con l'XP300, deve prima essere accoppiato.

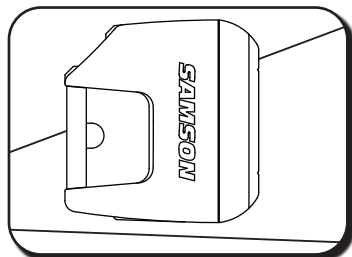
1. Ruotare tutti i comandi del LIVELLO del canale verso il basso in senso antiorario fino a 0.
2. Con l'XP300 e il dispositivo *Bluetooth* acceso, premere e tenere premuto il pulsante PAIR (ACCOPPIA) sul pannello anteriore del mixer XP300 per rendere l'altoparlante rilevabile. L'indicatore *Bluetooth* lampeggia lentamente in blu.
3. Nelle impostazioni del dispositivo *Bluetooth*, predisporlo per "scoprire" i dispositivi disponibili.
4. Dall'elenco dei dispositivi *Bluetooth*, selezionare il dispositivo "Samson XP300".
5. Se il dispositivo richiede una chiave di accesso, immettere le cifre 0000 (quattro zeri) e premere OK. Alcuni dispositivi possono anche chiedere di accettare la connessione.
6. Poiché l'XP300 si sta collegando al dispositivo, l'indicatore *Bluetooth* lampeggia rapidamente in blu.
7. L'altoparlante XP300 indica che l'accoppiamento è completo quando l'indicatore diventa blu fisso. Ora è possibile trasmettere in streaming l'audio dal dispositivo agli altoparlanti XP300.
8. Con il comando del volume del dispositivo *Bluetooth* alzato, riprodurre un po' di musica e alzare lentamente il comando di LIVELLO del canale 5/6 del BLUETOOTH dell'XP300 fino a raggiungere il livello desiderato.



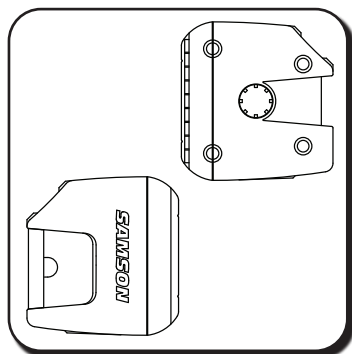
Configurazione dell'XP300 per il trasporto

È possibile trasportare facilmente l'impianto audio utilizzando la funzione dell'XP300 "Slide and Lock". Gli alloggiamenti per altoparlanti "Slide and Lock" consentono di collegare entrambi gli altoparlanti in un'unica unità facile da trasportare. Seguire questi passaggi per configurare l'XP300 per il trasporto.

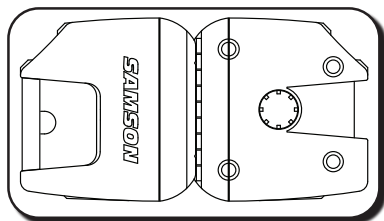
1. Collocare un altoparlante sul pavimento e posizionarlo lateralmente.



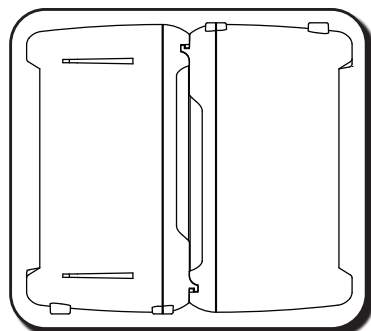
2. Posizionare il secondo altoparlante sopra il primo altoparlante e allineare le tracce e le scanalature "Slide and Lock" in modo che siano parallele all'altoparlante sul pavimento. Gli armadietti degli altoparlanti devono essere invertiti rispetto alla parte superiore e inferiore.
3. Far scorrere il secondo altoparlante nell'altoparlante sul pavimento, assicurandosi che i due altoparlanti rimangano paralleli l'uno all'altro.



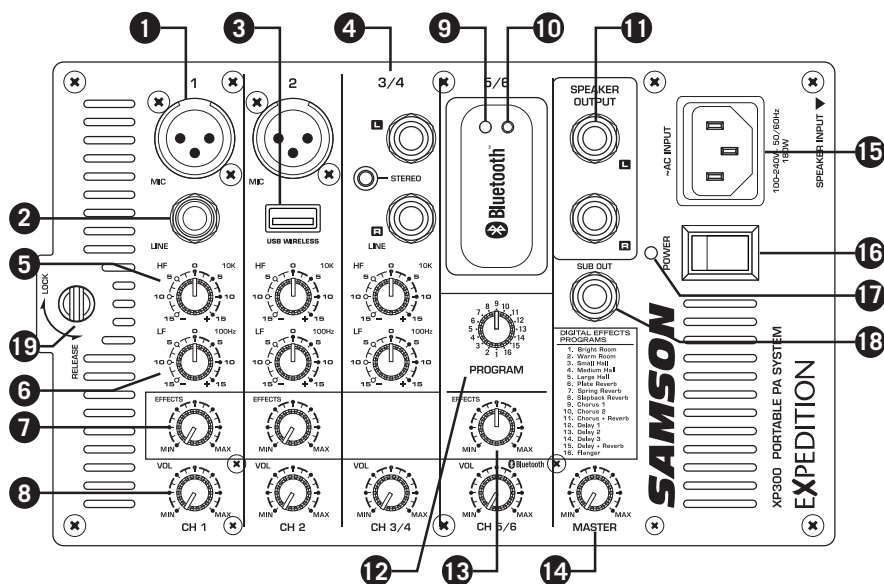
4. Si sentirà un leggero clic quando i due altoparlanti sono in posizione.



5. L'XP300 può ora essere prelevato o trasportato come unità singola.



Layout del Mixer XP300



- Connettori di ingresso del microfono XLR (Canali 1-2)** – Utilizzare questi jack XLR per collegare microfoni a bassa impedenza, o segnali a basso livello dai box diretti, ai preamplificatori del microfono integrati.
- Connettore di ingresso della linea da 1/4" (Canale 1)** - Usare questo jack da 1/4" per collegare strumenti o sorgenti audio con segnali di livello di linea.
- Ingresso USB WIRELESS** - Collegare a questo ingresso il ricevitore USB wireless digitale Samson XPD opzionale. Il ricevitore wireless ottiene la sua alimentazione dall'XP300, non è quindi necessaria ulteriore fonte di corrente. L'ingresso viene indirizzato al comando del VOL CH 2.
Nota: il connettore USB è solo per il ricevitore Samson XPD. Il connettore non è progettato per caricare smartphone, tablet o dispositivi simili.
- Canale 3/4 di ingresso stereo** - Utilizzare gli ingressi da 1/4" di Sinistra (L) e Destra (R) oppure l'ingresso da 1/8" (3,5 mm) stereo per collegare i dispositivi di livello di linea stereo.
- Alta frequenza (HF, High Frequency)** - La manopola HF controlla la quantità di alti applicati a ciascun canale. La risposta in frequenza ALTA del canale è piatta quando la manopola si trova nella posizione a ore 12 o "0". Ruotando la manopola verso destra si aumenta la risposta in alta frequenza del canale oltre i 10 kHz e fino a 15 dB, mentre ruotandola verso sinistra si riduce la risposta in alta frequenza fino a 15 dB.
- Bassa frequenza (LF, Low Frequency)** - La manopola LF controlla la quantità di bassi applicati a ciascun canale. La risposta in frequenza BASSA del canale è piatta quando la manopola si trova nella posizione a ore 12 o "0". Ruotando la manopola verso destra si aumenta la risposta in bassa frequenza del canale oltre i 100 Hz e fino a 15 dB, mentre ruotandola verso sinistra si riduce la risposta in bassa frequenza fino a 15 dB.
- Manopole degli EFFETTI** - Utilizzare le manopole di controllo degli EFFETTI per aggiungere uno dei sedici effetti digitali ai canali d'ingresso dei Canali 1 o 2. Ruotando la manopola in senso orario, il livello del segnale inviato al bus degli effetti aumenta.

Layout del Mixer XP300

8. **Manopole di controllo del VOL** - Queste manopole impostano il livello generale per ciascun canale d'ingresso.
NOTA: Per ridurre il rumore, impostare i comandi del VOLUME su tutti i canali non utilizzati sul valore minimo impostato.
9. **Indicatore di accoppiamento** – Visualizza lo stato *Bluetooth* del sistema XP300.
10. **Pulsante di accoppiamento** - Premere e tenere premuto questo pulsante per attivare la modalità rilevabile per l'accoppiamento con un dispositivo audio *Bluetooth*.
11. **Jack di USCITA ALTOPARLANTE** - L'XP300 è dotato di due connettori telefonici da 1/4": si tratta di uscite alimentate utilizzate per collegare gli altoparlanti sinistro e destro. Utilizzare i cavi degli altoparlanti in dotazione per collegare gli altoparlanti.
ATTENZIONE: il carico di impedenza totale per ogni lato dell'amplificatore non deve essere inferiore a 8 ohm. Non collegare altoparlanti aggiuntivi al mixer XP300.
12. **Selettore del PROGRAMMA degli effetti** - Questa manopola di controllo è usata per selezionare uno dei programmi di effetti DSP a 16, 24 bit.
13. **Manopola di invio degli EFFETTI** - La manopola di Invio degli EFFETTI è utile per regolare la quantità totale di effetti aggiunti al bus master.
14. **Manopola del volume MASTER** - La manopola del volume MASTER controlla il livello d'uscita complessivo. I segnali provenienti da tutti e sei i canali vengono indirizzati qui appena prima di essere indirizzati agli amplificatori di potenza integrati e ai jack di Uscita degli altoparlanti sinistro e destro.
15. **Ingresso IEC** - Collegare qui il cavo di alimentazione "IEC" a 3 pin ad alta resistenza in dotazione.
16. **Interruttore di ALIMENTAZIONE** - Utilizzare l'interruttore di ALIMENTAZIONE per accendere o spegnere l'XP300.
17. **Indicatore di Potenza/Picco** - Questo LED si illumina di colore VERDE quando l'interruttore di alimentazione principale è acceso, e di colore ROSSO quando l'amplificatore è vicino al punto di clipping. Se l'Indicatore di picco si accende frequentemente, abbassare il controllo del volume MASTER o abbassare i comandi del VOL dei canali d'ingresso, fino a quando l'indicatore non si illumina più, o si illumina solo occasionalmente con picchi di segnale.
18. **Connettore di USCITA SUB** - Questa uscita a gamma intera viene utilizzata per inviare il mix principale a un subwoofer attivo esterno. Il segnale presente su questo connettore è il segnale dopo il controllo del livello MASTER.
19. **Blocco del mixer** - Ruotare questo blocco di un quarto di giro in senso antiorario, in posizione di RILASCIO, per rimuovere il mixer dal retro dell'armadietto dell'altoparlante. Quando si trasporta l'XP300, assicurarsi che il blocco sia in posizione di BLOCCO.

Caratteristiche tecniche

Amplificatore		
Potenza RMS	300 W a 4Ω (150 W per canale)	
Risposta in frequenza	40 Hz-20 kHz	
Consumo di alimentazione	Ingresso CA 100 V~240 V 50/60 Hz 180 W	
Temperatura d'esercizio	Da 14° F (-10° C) a 95° F (35° C)	
Altoparlanti		
Bassa frequenza	Trasduttore da 6" per bassi	
Alta frequenza	Tweeter da 1"	
Mixer		
Ingressi	XLR, 1/4", stereo da 3,5 mm, Wireless USB	
Uscite	Uscita Sub da 1/4", Uscita dell'altoparlante da 1/4"	
Alimentazione fantasma	+24 V CC, Tensione fantasma fissa	
Canale EQ di ingresso	Alto	10 kHz Scaffalature ±15 dB
	Basso	100 Hz Scaffalature ±15 dB
Effetti	16 preimpostato, DSP a 24 bit	
Indicatori	LED a due colori - Potenza/Picco	
Bluetooth®	Bluetooth 3.0, A2DP	
Tecnica di modulazione	FHSS (GFSK, π/4-DQPSK, 8-DPSK)	
Dimensioni e peso		
Dimensioni del sistema (LxLxA)	15,6" x 8,6" x 14"	
	395 mm x 218 mm x 354 mm	
Dimensioni dell'altoparlante (LxLxA)	8,6" x 8,2" x 13,9"	
	218 mm x 208 mm x 352 mm	
Peso	22,6 libbre/ 10,3 kg	

Samson migliora continuamente i propri prodotti, pertanto le specifiche e le immagini sono soggette a modifiche senza preavviso.

ENGLISH

FRANÇAIS

DEUTSCHE

ESPAÑOL

ITALIANO



@samson



@samsontech



@samson_technologies

Samson Technologies Corp.
278-B Duffy Ave
Hicksville, New York 11801
Phone: 1-800-3-SAMSON (1-800-372-6766)
www.samsontech.com